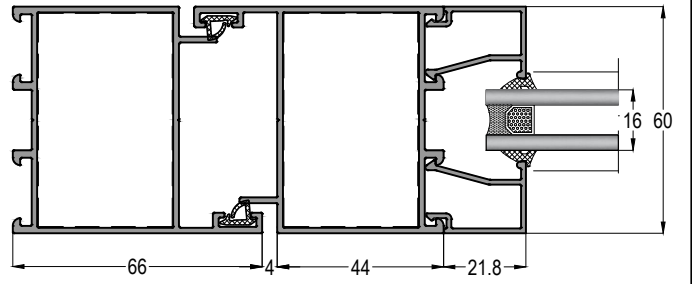
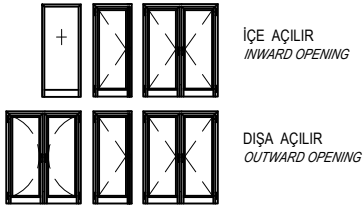


# C60


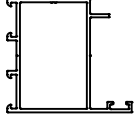
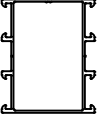
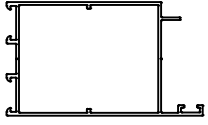
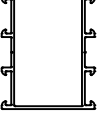

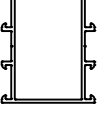


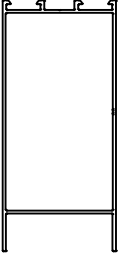

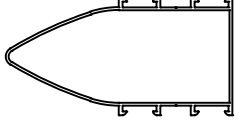
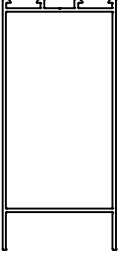
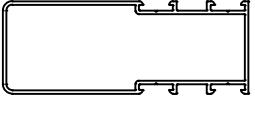
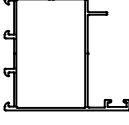
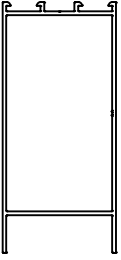
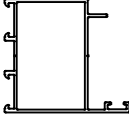
## YALITIMSIZ KAPI & VİTRİN SİSTEMİ UNINSULATED DOOR & SHOWCASE SYSTEM



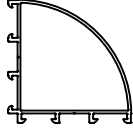

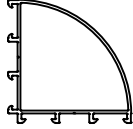
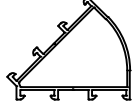

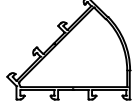
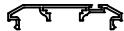


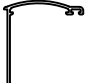




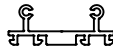
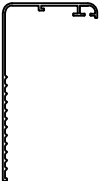
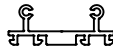

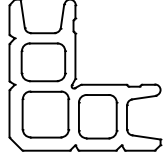


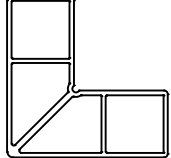


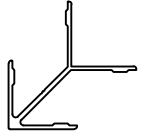




|  |                         |
|--|-------------------------|
| KASA GENİŞLİĞİ<br>Frame width                | : 60 mm                 |
| KANAT DERİNLİĞİ<br>Sash depth                | : 60 mm                 |
| SİSTEM ET KALINLIĞI<br>System wall thickness | : 1,2mm - 1,5mm - 1,8mm |
| CAM KALINLIĞI<br>Glass thickness             | : 4-32 mm               |



## PROFİL LİSTESİ - PROFILES LIST

|   |                    |                    |   |  |                    |                    |   |
|---|--------------------|--------------------|---|--|--------------------|--------------------|---|
| C60 111-15  | Jx cm <sup>4</sup> | Jy cm <sup>4</sup> |    | C60 011-18   | Jx cm <sup>4</sup> | Jy cm <sup>4</sup> |    |
|   | 13,65              | 0,89               |   |  | 26,11              | 16,33              |   |
| KASA PROFİLİ-2mm<br>ORTA KAYIT PROFİLİ<br><i>FRAME PROFILE-2mm</i><br>MULLION PROFILE     | AĞIRLIK / Weight   |                    |   | KASA PROFİLİ-1.8mm<br><i>FRAME PROFILE-1.8mm</i>                       | AĞIRLIK / Weight   |                    |   |
|   | 0,989 kg/mt        |                    |   |  | 1,264 kg/mt        |                    |   |
| C60 112-12  | Jx cm <sup>4</sup> | Jy cm <sup>4</sup> |    | C60 012-15   | Jx cm <sup>4</sup> | Jy cm <sup>4</sup> |    |
|   | 18,92              | 12,11              |   |  | 30,70              | 61,64              |   |
| KASA PROFİLİ-1.2mm<br>ORTA KAYIT PROFİLİ<br><i>FRAME PROFILE-1.2mm</i><br>MULLION PROFILE | AĞIRLIK / Weight   |                    |   | KASA PROFİLİ-1.5mm<br><i>FRAME PROFILE-1.5mm</i>                       | AĞIRLIK / Weight   |                    |   |
|   | 0,944 kg/mt        |                    |   |  | 1,431 kg/mt        |                    |   |
| C60 112-15  | Jx cm <sup>4</sup> | Jy cm <sup>4</sup> |    | C60 171-12   | AĞIRLIK / Weight   |                    |    |
|   | 19,42              | 12,76              |   |  | 0,410 kg/mt        |                    |   |
| KASA PROFİLİ-1.5mm<br>ORTA KAYIT PROFİLİ<br><i>FRAME PROFILE-1.5mm</i><br>MULLION PROFILE | AĞIRLIK / Weight   |                    |   | KASA ADAPTÖR<br>PROFİLİ-1.2mm<br><i>FRAME ADAPTER</i><br>PROFILE-1.2mm | AĞIRLIK / Weight   |                    |   |
|   | 1,068 kg/mt        |                    |   |  | 0,410 kg/mt        |                    |   |
| C60 112-18  | Jx cm <sup>4</sup> | Jy cm <sup>4</sup> |    | C60 171-15   | AĞIRLIK / Weight   |                    |    |
|   | 22,08              | 14,07              |   |  | 0,447 kg/mt        |                    |   |
| KASA PROFİLİ-2mm<br>ORTA KAYIT PROFİLİ<br><i>FRAME PROFILE-2mm</i><br>MULLION PROFILE     | AĞIRLIK / Weight   |                    |   | KASA ADAPTÖR<br>PROFİLİ-1.5mm<br><i>FRAME ADAPTER</i><br>PROFILE-1.5mm | AĞIRLIK / Weight   |                    |   |
|   | 1,212 kg/mt        |                    |   |  | 0,447 kg/mt        |                    |   |
| C60 113-15  | Jx cm <sup>4</sup> | Jy cm <sup>4</sup> |  | C60 141-12   | Jx cm <sup>4</sup> | Jy cm <sup>4</sup> |  |
|   | 32,00              | 72,14              |   |  | 140,83             | 46,74              |   |
| KASA PROFİLİ-1.5mm<br>ORTA KAYIT PROFİLİ<br><i>FRAME PROFILE-1.5mm</i><br>MULLION PROFILE | AĞIRLIK / Weight   |                    |   | ETEK PROFİLİ-1.6mm<br><i>BOTTOM PLATE</i><br>PROFILE-1.6mm             | AĞIRLIK / Weight   |                    |   |
|   | 1,464 kg/mt        |                    |   |  | 1,767 kg/mt        |                    |   |
| C60 113-20  | Jx cm <sup>4</sup> | Jy cm <sup>4</sup> |  |  | AĞIRLIK / Weight   |                    |   |
|   | 40,27              | 87,25              |   |  | 1,850 kg/mt        |                    |   |
| KASA PROFİLİ-2mm<br>ORTA KAYIT PROFİLİ<br><i>FRAME PROFILE-2mm</i><br>MULLION PROFILE     | AĞIRLIK / Weight   |                    |   |  | AĞIRLIK / Weight   |                    |   |
|   | 1,850 kg/mt        |                    |   |  | 1,850 kg/mt        |                    |   |
| C60 131-15  | Jx cm <sup>4</sup> | Jy cm <sup>4</sup> |  | C60 141-15   | Jx cm <sup>4</sup> | Jy cm <sup>4</sup> |  |
|   | 79,02              | 27,65              |   |  | 140,83             | 46,74              |   |
| ORTA KAYIT PROFİLİ-1.5mm<br><i>TRANSOM-MULLION</i><br>PROFILE-1.5mm                       | AĞIRLIK / Weight   |                    |   | ETEK PROFİLİ-1.8mm<br><i>BOTTOM PLATE</i><br>PROFILE-1.8mm             | AĞIRLIK / Weight   |                    |   |
|   | 1,509 kg/mt        |                    |   |  | 1,939 kg/mt        |                    |   |
| C60 132-19  | Jx cm <sup>4</sup> | Jy cm <sup>4</sup> |  |  | AĞIRLIK / Weight   |                    |   |
|   | 145,91             | 29,54              |   |  | 2,014 kg/mt        |                    |   |
| ORTA KAYIT PROFİLİ-1.9mm<br><i>TRANSOM-MULLION</i><br>PROFILE-1.9mm                       | AĞIRLIK / Weight   |                    |   |  | AĞIRLIK / Weight   |                    |   |
|   | 2,014 kg/mt        |                    |   |  | 2,014 kg/mt        |                    |   |
| C60 011-12  | Jx cm <sup>4</sup> | Jy cm <sup>4</sup> |  | C60 141-20   | Jx cm <sup>4</sup> | Jy cm <sup>4</sup> |  |
|   | 21,29              | 13,21              |   |  | 153,74             | 51,27              |   |
| KASA PROFİLİ-1.2mm<br><i>FRAME PROFILE-1.2mm</i>  | AĞIRLIK / Weight   |                    |   | ETEK PROFİLİ-2mm<br><i>BOTTOM PLATE</i><br>PROFILE-2mm                 | AĞIRLIK / Weight   |                    |   |
|   | 0,976 kg/mt        |                    |   |  | 2,138 kg/mt        |                    |   |
| C60 011-15  | Jx cm <sup>4</sup> | Jy cm <sup>4</sup> |  |  | AĞIRLIK / Weight   |                    |   |
|   | 21,48              | 16,31              |   |  | 2,138 kg/mt        |                    |   |
| KASA PROFİLİ-1.5mm<br><i>FRAME PROFILE-1.5mm</i>  | AĞIRLIK / Weight   |                    |   |  | AĞIRLIK / Weight   |                    |   |
|   | 1,102 kg/mt        |                    |   |  | 1,102 kg/mt        |                    |   |

## PROFİL LİSTESİ - PROFILES LIST


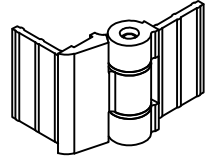

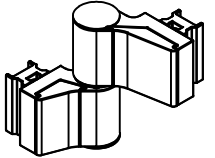

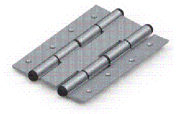



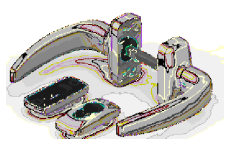





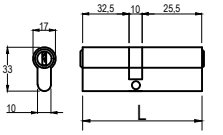

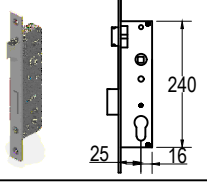
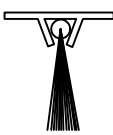
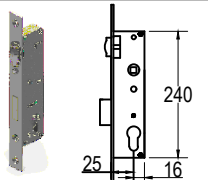
|   |                    |                    |   |  |   |
|---|--------------------|--------------------|---|--|---|
| C60 161-15  | Jx cm <sup>4</sup> | Jy cm <sup>4</sup> |    | C11 236-13                                 |    |
|   | 20,89              | 20,89              |   |  |   |
| 90° KÖŞE PROFİLİ<br>CORNER PROFILE                | AĞIRLIK / Weight   |                    |    | CAM ÇİTASI-23,6 mm<br>GLAZING BEAD PROFILE | AĞIRLIK / Weight  |
|   | 1,133 kg/mt        |                    |   |  |   |
| C60 162-15  | Jx cm <sup>4</sup> | Jy cm <sup>4</sup> |    | C11 330                                    |    |
|   | 9,34               | 13,96              |   |  |   |
| 135° KÖŞE PROFİLİ<br>CORNER PROFILE               | AĞIRLIK / Weight   |                    |    | CAM ÇİTASI-32 mm<br>GLAZING BEAD PROFILE   | AĞIRLIK / Weight  |
|   | 0,978 kg/mt        |                    |   |  |   |
| C60 052-14  | AĞIRLIK / Weight   |                    |    | C11 440                                    |    |
|   | 0,433 kg/mt        |                    |   |  |   |
| ÇARPMA KAPI<br>ADAPTÖR PROFİLİ<br>ADAPTER PROFILE | AĞIRLIK / Weight   |                    |    | 12-54                                      |    |
|   | 0,511 kg/mt        |                    |   |  |   |
| C60 053-14  | AĞIRLIK / Weight   |                    |    | PERVAZ PROFİLİ<br>BORDER PROFILE           | AĞIRLIK / Weight  |
|   | 0,326 kg/mt        |                    |   |  |   |
| C60 152-14  | AĞIRLIK / Weight   |                    |  | 12-57                                      |  |
|   | 0,236 kg/mt        |                    |   |  |   |
| ADAPTÖR PROFİLİ<br>ADAPTER PROFILE                | AĞIRLIK / Weight   |                    |  | PERVAZ PROFİLİ<br>BORDER PROFILE           | AĞIRLIK / Weight  |
|   | 0,358 kg/mt        |                    |   |  |   |
| C10 558-01  | AĞIRLIK / Weight   |                    |  | 12-94                                      |  |
|   | 0,940 kg/mt        |                    |   |  |   |
| BAĞLANTI PROFİLİ<br>JOINT PROFILE                 | AĞIRLIK / Weight   |                    |  | PERVAZ PROFİLİ<br>BORDER PROFILE           | AĞIRLIK / Weight  |
|   | 0,621 kg/mt        |                    |   |  |   |
| C11 045-14  | AĞIRLIK / Weight   |                    |  | C10 350-00                                 |  |
|   | 0,254 kg/mt        |                    |   |  |   |
| CAM ÇİTASI-4,5 mm<br>GLAZING BEAD PROFILE         | AĞIRLIK / Weight   |                    |  | KÖŞE TAKOZU<br>CORNER JOINT                | AĞIRLIK / Weight  |
|   | 5,644 kg/mt        |                    |   |  |   |
| C11 190-13  | AĞIRLIK / Weight   |                    |  | C10 360-24                                 |  |
|   | 0,272 kg/mt        |                    |   |  |   |
| CAM ÇİTASI-19 mm<br>GLAZING BEAD PROFILE          | AĞIRLIK / Weight   |                    |  | KÖŞE TAKOZU<br>CORNER JOINT                | AĞIRLIK / Weight  |
|   | 2,861 kg/mt        |                    |   |  |   |
| C11 170   | AĞIRLIK / Weight   |                    |  | AL10-333                                   |  |
|   | 0,209 kg/mt        |                    |   |  |   |
| CAM ÇİTASI-17 mm<br>GLAZING BEAD PROFILE          | AĞIRLIK / Weight   |                    |  | KÖŞE BAĞLANTI<br>CORNER JOINT              | AĞIRLIK / Weight  |
|   | 1,160 kg/mt        |                    |   |  |   |
| C11 236-11  | AĞIRLIK / Weight   |                    |  | 13-035025-14                               |  |
|   | 0,219 kg/mt        |                    |   |  |   |
| CAM ÇİTASI-23,6 mm<br>GLAZING BEAD PROFILE        | AĞIRLIK / Weight   |                    |  | EŞİK PROFİLİ<br>THRESHOLD PROFILE          | AĞIRLIK / Weight  |
|   | 0,136 kg/mt        |                    |   |  |   |

# AS C60

YALITIMSIZ KAPI-VİTRİN SİSTEMİ  
UNINSULATED DOOR & SHOWCASE SYSTEM

## ASISTAL

AKSESUAR LİSTESİ - ACCESSORIES LISTS


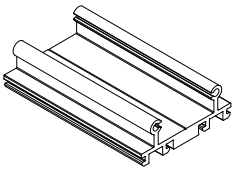

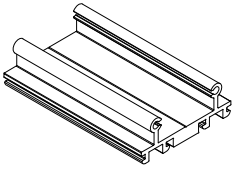

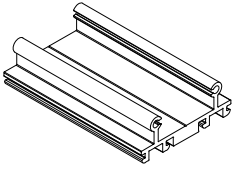

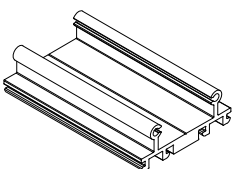

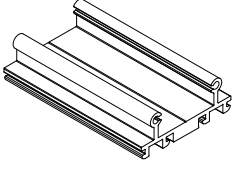

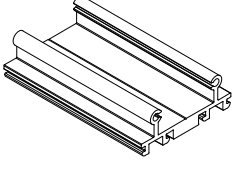
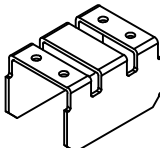
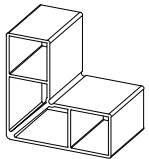
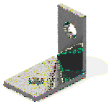
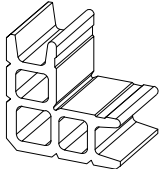
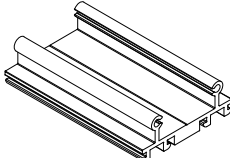
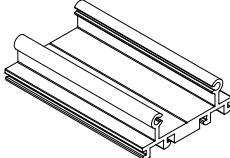
|   |  |   |  |                                      |   |
|---|--|---|--|--------------------------------------|---|
| EP2-01  |  |    | MNT-C60-1  |                                      |    |
| İÇ CAM FİTİLİ - 3 mm<br><i>INNER GLAZING GASKET</i> | KOLİ MİKTARI/Package<br>440 mt / 15 kg |   | MENTEŞE<br><i>HINGE</i>                            | KOLİ MİKTARI/Package<br>Adet / Piece |   |
| EP2-02  |  |    | MNT-C60-2  |                                      |    |
| İÇ CAM FİTİLİ - 4 mm<br><i>INNER GLAZING GASKET</i> | KOLİ MİKTARI/Package<br>300 mt / 15 kg |   | MENTEŞE<br><i>HINGE</i>                            | KOLİ MİKTARI/Package<br>Adet / Piece |   |
| EP2-03  |  |    | ASI-YKM 001  |                                      |    |
| İÇ CAM FİTİLİ - 5 mm<br><i>INNER GLAZING GASKET</i> | KOLİ MİKTARI/Package<br>250 mt / 15 kg |   | ÇARPMA KAPI MENTEŞE<br><i>SWING DOOR HINGE</i>     | KOLİ MİKTARI/Package<br>Adet / Piece |   |
| KC 06   |  |    | ASI-WH 0760  |                                      |   |
| CAM FİTİLİ - 6 mm<br><i>GLAZING GASKET</i>          | KOLİ MİKTARI/Package<br>mt /kg         |   | PENCERE KOLU<br><i>WINDOW HANDLE</i>               | KOLİ MİKTARI/Package<br>Adet / Piece |   |
| KC 07   |  |  | ASI-DH 2070  |                                      |  |
| CAM FİTİLİ - 7mm<br><i>GLAZING GASKET</i>           | KOLİ MİKTARI/Package<br>mt /kg         |   | KAPI KOLU<br><i>DOOR HANDLE</i>                    | KOLİ MİKTARI/Package<br>Adet / Piece |   |
| C60-01  |  |  | ASI-DH 60Y   |                                      |  |
| KANAT BİNİ FİTİLİ<br><i>SASH GASKET</i>             | KOLİ MİKTARI/Package<br>250 mt / 15 kg |   | ÇEKME KAPI KOLU<br><i>DOOR HANDLE</i>              | KOLİ MİKTARI/Package<br>Adet / Piece |   |
| C60-02  |  |  | ASI-DH 40KB  |                                      |  |
| KANAT BİNİ FİTİLİ<br><i>SASH GASKET</i>             | KOLİ MİKTARI/Package<br>250 mt / 15 kg |   | ÇEKME KAPI KOLU<br><i>DOOR HANDLE</i>              | KOLİ MİKTARI/Package<br>Adet / Piece |   |
| C60-03  |  |  | ASI-BRL 68   |                                      |  |
| KANAT BİNİ FİTİLİ<br><i>SASH GASKET</i>             | KOLİ MİKTARI/Package<br>230 mt / 15 kg |   | 68 LİK BAREL<br><i>CYLINDER 68</i>                 | KOLİ MİKTARI/Package<br>Adet / Piece |   |
| KF 67-600   |  |  | ASI-153U25   |                                      |  |
| FİRÇA FİTİL<br><i>BRUSH GASKET</i>                  | KOLİ MİKTARI/Package<br>1300 mt        |   | DİLLİ KİLİT<br><i>MOURTISE LOCK WITH CYLINDER</i>  | KOLİ MİKTARI/Package<br>Adet / Piece |   |
| ASI-F 100A  |  |  | ASI-155U25   |                                      |  |
| KAPI ALTI FİRÇASI<br><i>BRUSH GASKET</i>            | KOLİ MİKTARI/Package<br>Adet / Piece   |   | MAKARALI KİLİT<br><i>MOURTISE LOCK WITH ROLLER</i> | KOLİ MİKTARI/Package<br>Adet / Piece |   |

# AS C60

YALITIMSIZ KAPI-VİTRİN SİSTEMİ  
UNINSULATED DOOR & SHOWCASE SYSTEM

## ASİSTAL

### AKSESUAR LİSTESİ - ACCESSORIES LISTS

|   |  |   |   |                                      |   |
|---|--|---|---|--------------------------------------|---|
| <b>KRS-C60-A</b>  |  |    | <b>ASI-DB 355</b>                               |                                      |    |
| <b>KİLİT ALTI</b><br><i>LOCK ADAPTER</i>                      | KOLİ MİKTARI/Package<br>Adet / Piece     |   | <b>BAĞLANTI PROFİLİ</b><br><i>JOINT PROFILE</i> | KOLİ MİKTARI/Package<br>Adet / Piece |   |
| <b>KRS-C60-D</b>  |  |    | <b>ASI-DB 485</b>                               |                                      |    |
| <b>DİLLİ KİLİT KARŞILIĞI</b><br><i>LOCK STRIKES</i>           | KOLİ MİKTARI/Package<br>Adet / Piece     |   | <b>BAĞLANTI PROFİLİ</b><br><i>JOINT PROFILE</i> | KOLİ MİKTARI/Package<br>Adet / Piece |   |
| <b>KRS-C60-M</b>  |  |    | <b>ASI-DB 835</b>                               |                                      |    |
| <b>MAKARALI KİLİT KARŞILIĞI</b><br><i>ROLLER LOCK STRIKES</i> | KOLİ MİKTARI/Package<br>Adet / Piece     |   | <b>BAĞLANTI PROFİLİ</b><br><i>JOINT PROFILE</i> | KOLİ MİKTARI/Package<br>Adet / Piece |   |
| <b>ASI-C60 SRG</b>  |  |    | <b>ASI-DB 845</b>                               |                                      |    |
| <b>SÜRGÜ KİLİTLEME</b><br><i>SASH FIXING LOCK</i>             | KOLİ MİKTARI/Package<br>Adet / Piece     |   | <b>BAĞLANTI PROFİLİ</b><br><i>JOINT PROFILE</i> | KOLİ MİKTARI/Package<br>Adet / Piece |   |
| <b>ASI-RP 001</b>   |  |  | <b>ASI-DB 1032</b>                              |                                      |  |
| <b>TİJ PİMİ</b><br><i>ROD PROFILE LOCKING</i>                 | KOLİ MİKTARI/Package<br>Adet / Piece     |   | <b>BAĞLANTI PROFİLİ</b><br><i>JOINT PROFILE</i> | KOLİ MİKTARI/Package<br>Adet / Piece |   |
| <b>C60-W-KRS</b>  |  |  | <b>ASI-DB 1035</b>                              |                                      |  |
| <b>TİJ PİMİ KARŞILIK</b><br><i>ROD STRIKES</i>                | KOLİ MİKTARI/Package<br>Adet / Piece     |   | <b>BAĞLANTI PROFİLİ</b><br><i>JOINT PROFILE</i> | KOLİ MİKTARI/Package<br>Adet / Piece |   |
| <b>OKB-C60-1</b>  |  |  | <b>ASI-KT 565</b>                               |                                      |  |
| <b>ORTA KAYIT BAĞLANTI</b><br><i>T JOINT FIXING</i>           | KOLİ MİKTARI/Package<br>Adet / Piece     |   | <b>KÖŞE TAKOZU</b><br><i>CORNER JOINT</i>       | KOLİ MİKTARI/Package<br>Adet / Piece |   |
| <b>ASI-P 100.1</b>  |  |  | <b>ASI-KT 560</b>                               |                                      |  |
| <b>ORTA KAYIT BAĞLANTI</b><br><i>T JOINT FIXING</i>           | KOLİ MİKTARI/Package<br>250 Adet / Piece |   | <b>KÖŞE TAKOZU</b><br><i>CORNER JOINT</i>       | KOLİ MİKTARI/Package<br>Adet / Piece |   |
| <b>ASI-DB 345</b>   |  |  |   |                                      |   |
| <b>BAĞLANTI PROFİLİ</b><br><i>JOINT PROFILE</i>               | KOLİ MİKTARI/Package<br>Adet / Piece     |   |   |                                      |   |
| <b>ASI-DB 350</b>   |  |  |   |                                      |   |
| <b>BAĞLANTI PROFİLİ</b><br><i>JOINT PROFILE</i>               | KOLİ MİKTARI/Package<br>Adet / Piece     |   |   |                                      |   |

**AS C60**

YALITIMSIZ KAPI-VİTRİN SİSTEMİ  
UNINSULATED DOOR & SHOWCASE SYSTEM

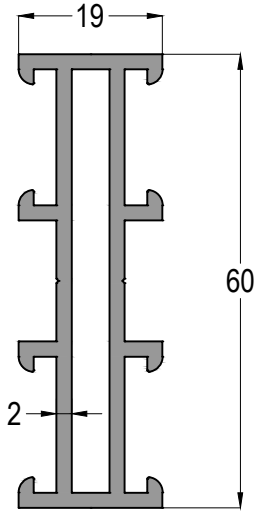
**ASISTAL**

**PROFİL DETAYLARI**  
*PROFILE DETAILS*

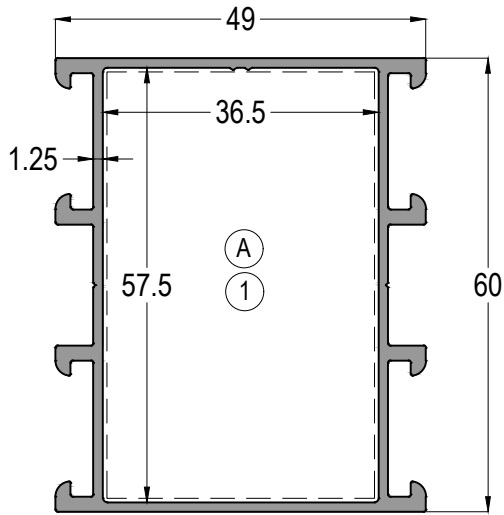
# AS C60

YALITIMSIZ KAPI-VİTRİN SİSTEMİ  
UNINSULATED DOOR & SHOWCASE SYSTEM

## ASISTAL

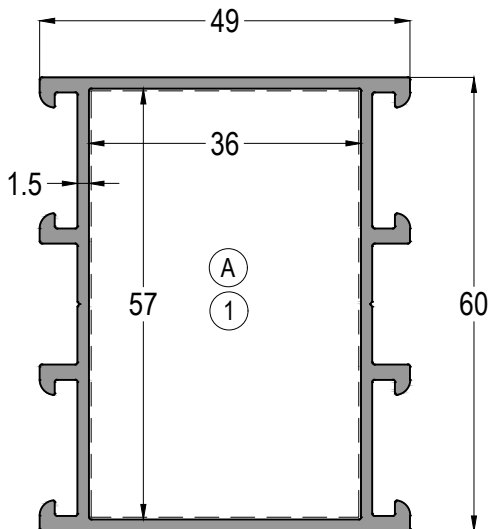


|                  |                    |                    |
|------------------|--------------------|--------------------|
| C60 111-15       | Jx cm <sup>4</sup> | Jy cm <sup>4</sup> |
|                  | 13,65              | 0,89               |
| AĞIRLIK / Weight |                    |                    |
| 0,989 kg/mt      |                    |                    |



|                  |                    |                    |
|------------------|--------------------|--------------------|
| C60 112-12       | Jx cm <sup>4</sup> | Jy cm <sup>4</sup> |
|                  | 18,92              | 12,11              |
| AĞIRLIK / Weight |                    |                    |
| 0,944 kg/mt      |                    |                    |

C10 360 (L : 56,5mm) C10 350 ASI-DB 355 C10 558=L:35,5mm



|                  |                    |                    |
|------------------|--------------------|--------------------|
| C60 112-15       | Jx cm <sup>4</sup> | Jy cm <sup>4</sup> |
|                  | 19,42              | 12,76              |
| AĞIRLIK / Weight |                    |                    |
| 1,068 kg/mt      |                    |                    |

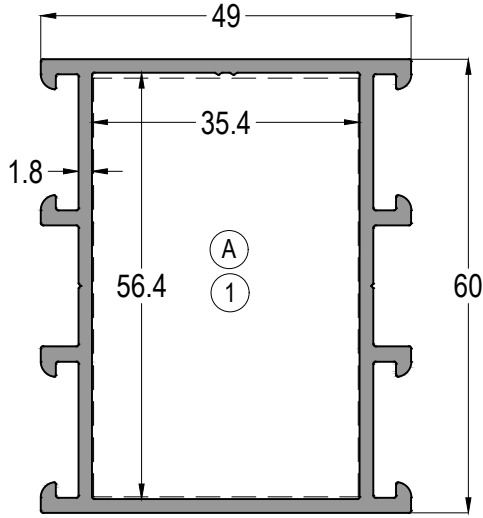
C10 360 (L : 56,5mm) C10 350 ASI-DB 355 C10 558=L:35,5mm

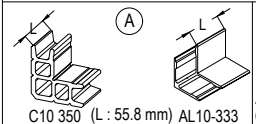
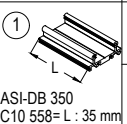
Profil ağırlıklarımız teorik olup; teslim anındaki tartımız geçerlidir.  
Profile weights are theoretical and the weight at the time of delivery is valid.

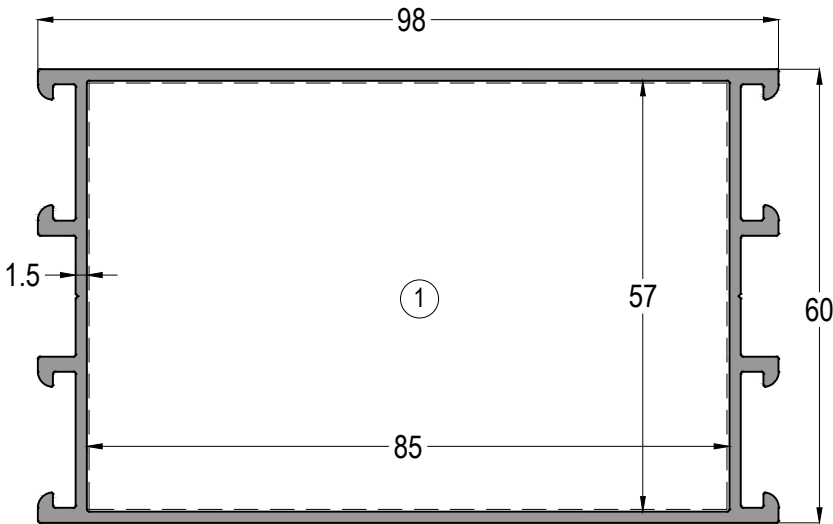
# AS C60

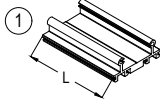
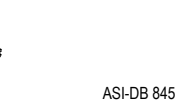
YALITIMSIZ KAPI-VİTRİN SİSTEMİ  
UNINSULATED DOOR & SHOWCASE SYSTEM

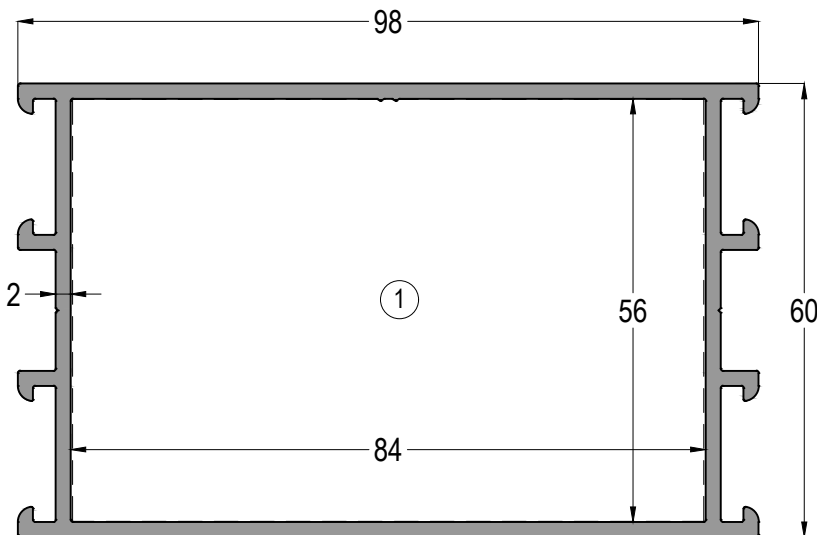
## ASISTAL

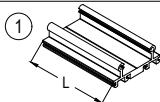
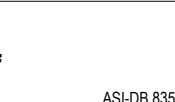


| C60 112-18  | Jx cm <sup>4</sup> | Jy cm <sup>4</sup> |
|---|--------------------|--------------------|
|   | 22,08              | 14,07              |
| <br>C10 350 (L : 55.8 mm) AL10-333    | AĞIRLIK / Weight   |                    |
| <br>ASI-DB 350<br>C10 558= L : 35 mm | 1,212 kg/mt        |                    |



| C60 113-15  | Jx cm <sup>4</sup> | Jy cm <sup>4</sup> |
|---|--------------------|--------------------|
|   | 32,00              | 72,14              |
| <br>C10 558-01 = L : 84,5 mm                | AĞIRLIK / Weight   |                    |
| <br>ASI-DB 845<br>C10 558-01 = L : 84,5 mm | 1,464 kg/mt        |                    |



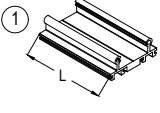
| C60 113-20   | Jx cm <sup>4</sup> | Jy cm <sup>4</sup> |
|--|--------------------|--------------------|
|  | 40,27              | 87,25              |
| <br>C10 558 = L : 83,5 mm                | AĞIRLIK / Weight   |                    |
| <br>ASI-DB 835<br>C10 558 = L : 83,5 mm | 1,850 kg/mt        |                    |

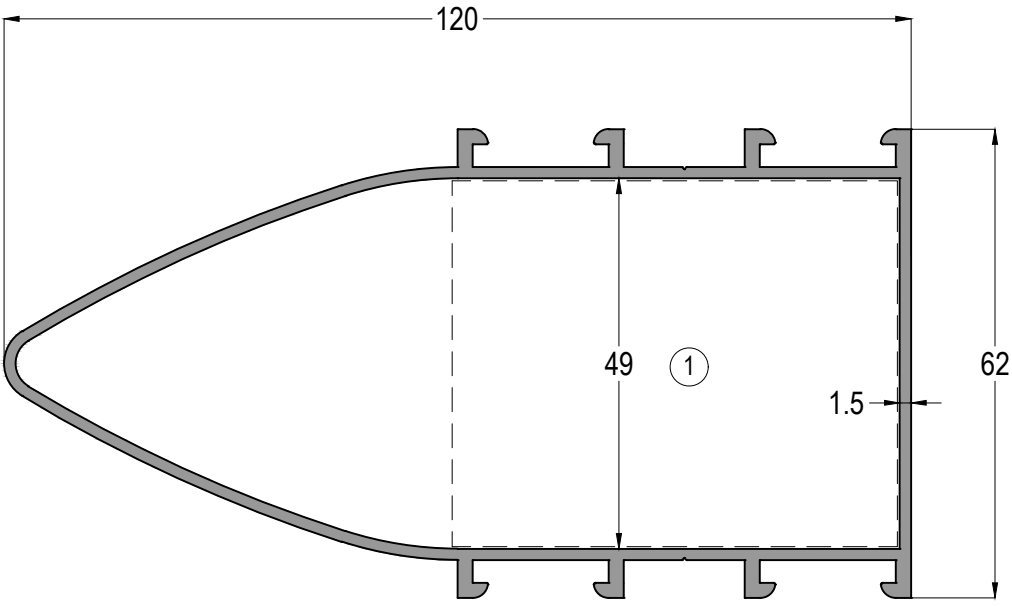
Profil ağırlıklarımız teorik olup; teslim anındaki tartımız geçerlidir.  
Profile weights are theoretical and the weight at the time of delivery is valid.

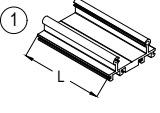
# AS C60

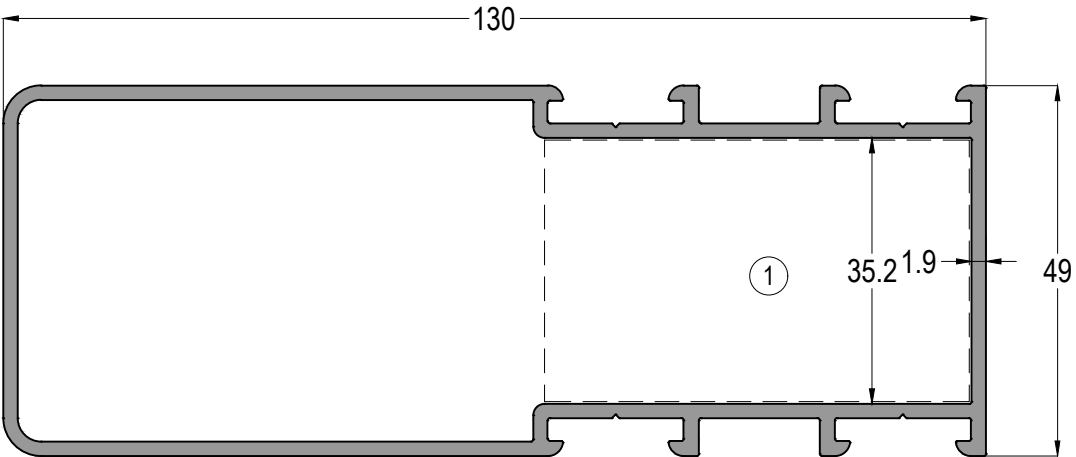
YALITIMSIZ KAPI-VİTRİN SİSTEMİ  
UNINSULATED DOOR & SHOWCASE SYSTEM



|  |                    |                    |
|--|--------------------|--------------------|
| <b>C60 131-15</b>  | Jx cm <sup>4</sup> | Jy cm <sup>4</sup> |
|  | 79,02              | 27,65              |
| <br>ASI-DB 485<br>C10 558 = L : 48,5 mm | AĞIRLIK / Weight   |                    |
|  | 1,509 kg/mt        |                    |



|  |                    |                    |
|--|--------------------|--------------------|
| <b>C60 132-19</b>  | Jx cm <sup>4</sup> | Jy cm <sup>4</sup> |
|  | 145,91             | 29,54              |
| <br>ASI-DB 345<br>C10 558 = L : 34,5 mm | AĞIRLIK / Weight   |                    |
|  | 2,014 kg/mt        |                    |

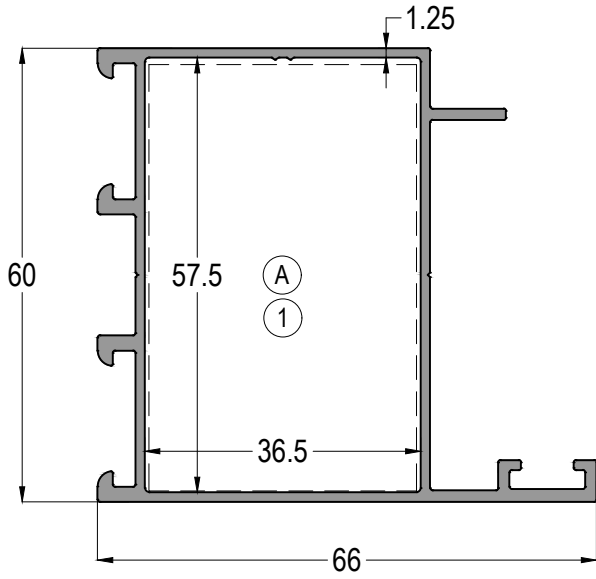


Profil ağırlıklarımız teorik olup; teslim anındaki tartımız geçerlidir.  
Profile weights are theoretical and the weight at the time of delivery is valid.

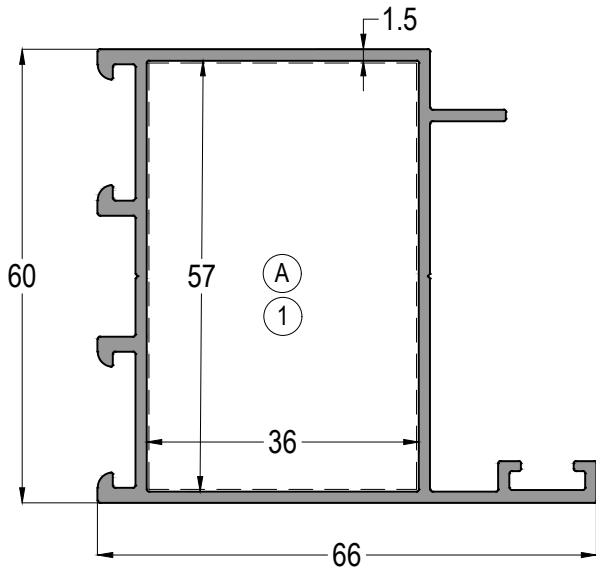
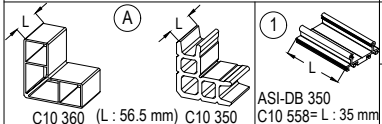
# AS C60

YALITIMSIZ KAPI-VİTRİN SİSTEMİ  
UNINSULATED DOOR & SHOWCASE SYSTEM

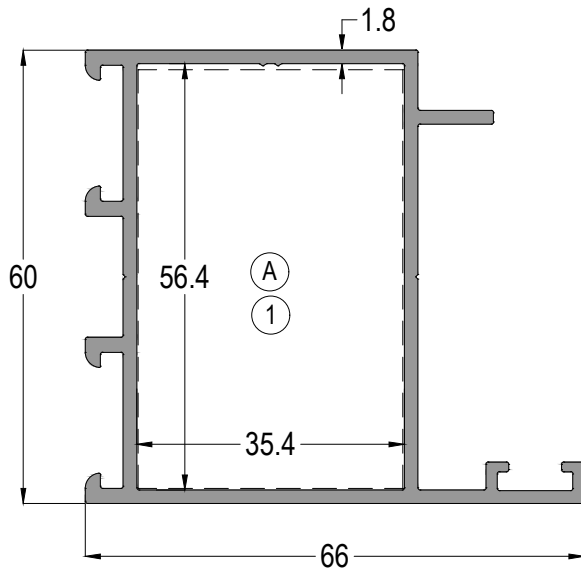
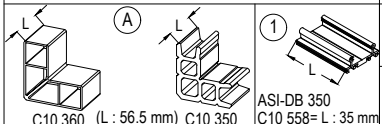
# ASISTAL



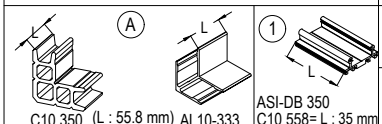
| C60 011-12       |  | Jx cm <sup>4</sup> | Jy cm <sup>4</sup> |
|------------------|--|--------------------|--------------------|
|                  |  | 21,29              | 13,21              |
| AĞIRLIK / Weight |  | 0,976 kg/mt        |                    |



| C60 011-15       |  | Jx cm <sup>4</sup> | Jy cm <sup>4</sup> |
|------------------|--|--------------------|--------------------|
|                  |  | 21,48              | 16,31              |
| AĞIRLIK / Weight |  | 1,102 kg/mt        |                    |



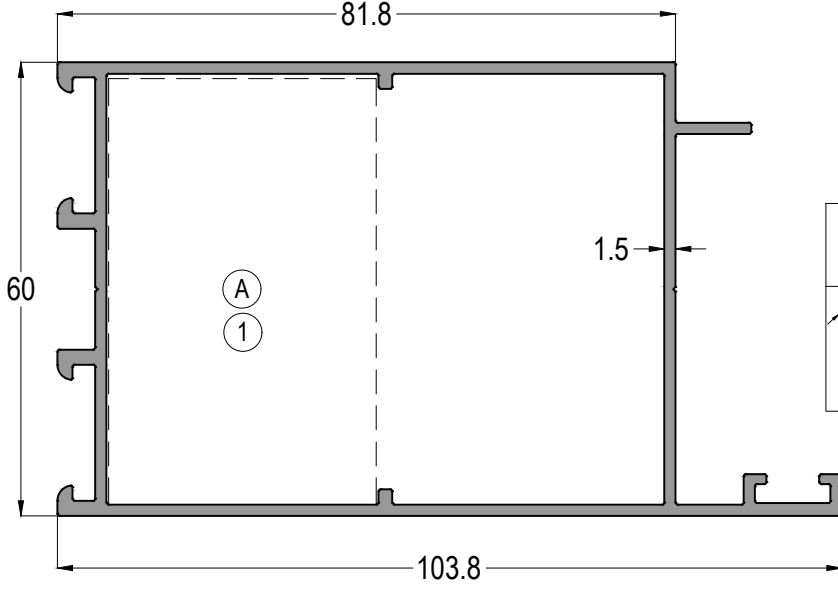
| C60 011-18       |  | Jx cm <sup>4</sup> | Jy cm <sup>4</sup> |
|------------------|--|--------------------|--------------------|
|                  |  | 26,11              | 1633               |
| AĞIRLIK / Weight |  | 1,264 kg/mt        |                    |



Profil ağırlıklarımız teorik olup; teslim anındaki tartımız geçerlidir.  
Profile weights are theoretical and the weight at the time of delivery is valid.

# AS C60

YALITIMSIZ KAPI-VİTRİN SİSTEMİ  
UNINSULATED DOOR & SHOWCASE SYSTEM



| C60 012-15       |  | Jx cm <sup>4</sup> | Jy cm <sup>4</sup> |
|------------------|--|--------------------|--------------------|
|                  |  | 30,70              | 61,64              |
| AĞIRLIK / Weight |  |                    |                    |
| 1,431 kg/mt      |  |                    |                    |

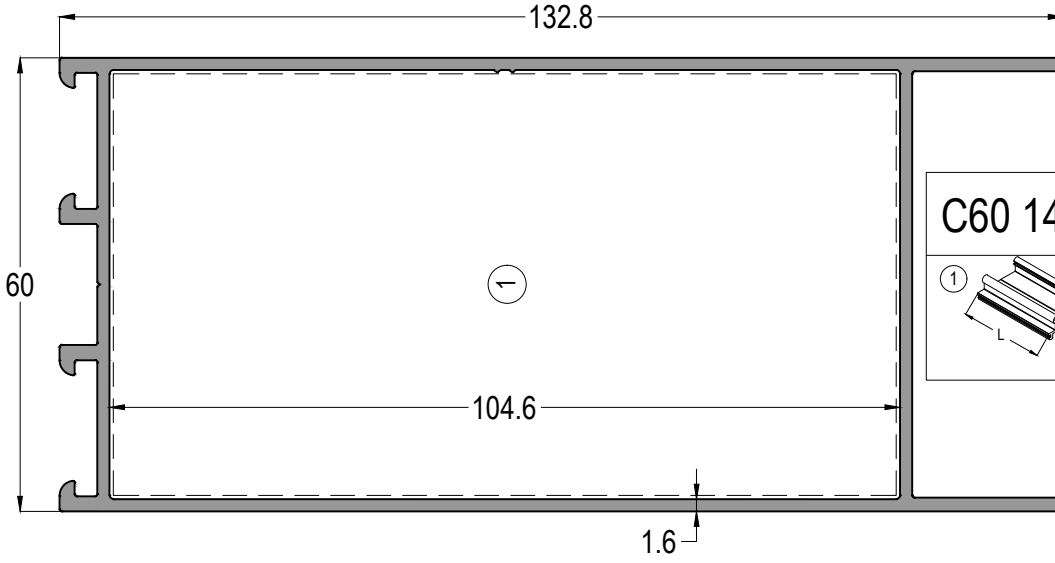
| Callout | Component  | Length (L) |
|---------|------------|------------|
| A       | C10 360    | 56.5 mm    |
| A       | C10 350    | -          |
| 1       | ASI-DB 350 | -          |
| 1       | C10 558    | 35 mm      |

Profil ağırlıklarımız teorik olup; teslim anındaki tartımız geçerlidir.  
Profile weights are theoretical and the weight at the time of delivery is valid.

# AS C60

YALITIMSIZ KAPI-VİTRİN SİSTEMİ  
UNINSULATED DOOR & SHOWCASE SYSTEM

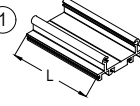
## ASISTAL



C60 141-12

| Jx cm <sup>4</sup> | Jy cm <sup>4</sup> |
|--------------------|--------------------|
| 140,83             | 46,70              |

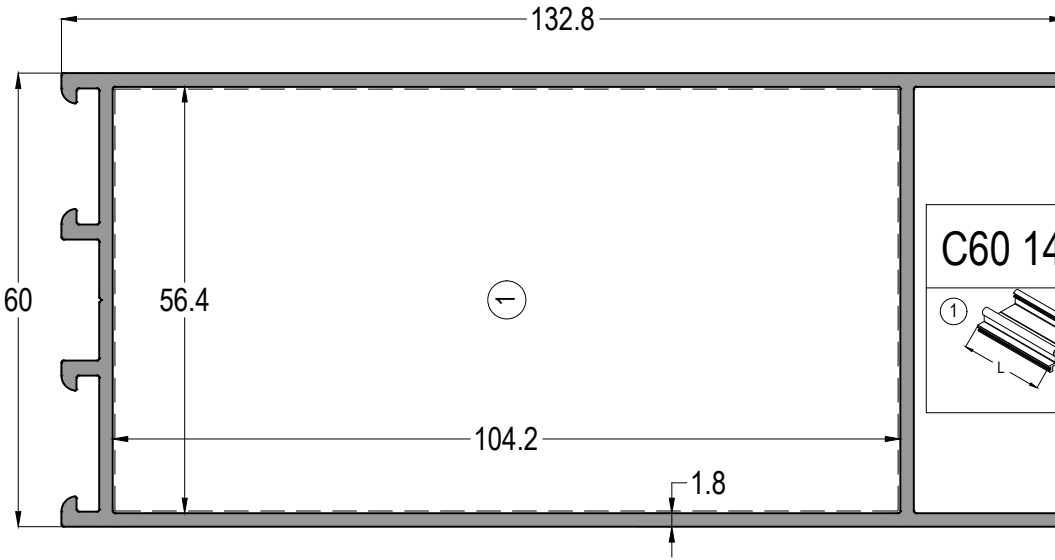
①



ASI-DB 1035  
C10 558 = L : 103,5 mm

AĞIRLIK / Weight

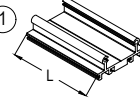
1,767 kg/mt



C60 141-15

| Jx cm <sup>4</sup> | Jy cm <sup>4</sup> |
|--------------------|--------------------|
| 140,83             | 46,74              |

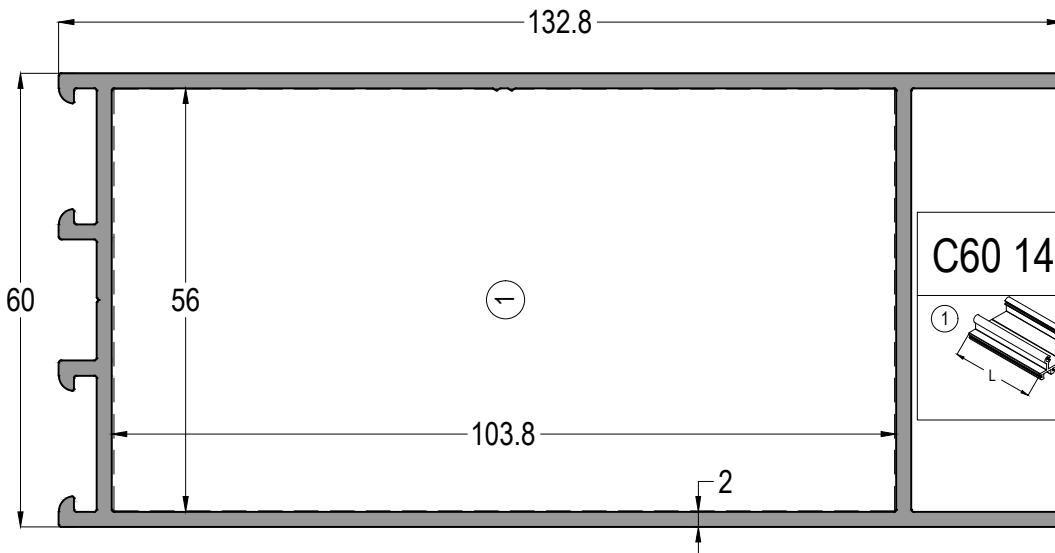
①



ASI-DB 1035  
C10 558 = L : 103,5 mm

AĞIRLIK / Weight

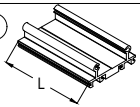
1,939 kg/mt



C60 141-20

| Jx cm <sup>4</sup> | Jy cm <sup>4</sup> |
|--------------------|--------------------|
| 153,74             | 51,27              |

①



ASI-DB 1032  
C10 558 = L : 103,2 mm

AĞIRLIK / Weight

2,138 kg/mt

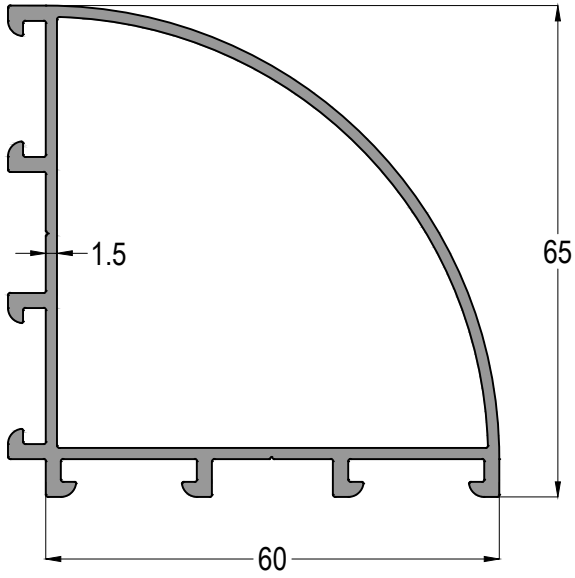
Profil ağırlıklarımız teorik olup, teslim anındaki tartımız geçerlidir.  
Profile weights are theoretical and the weight at the time of delivery is valid.

# AS C60

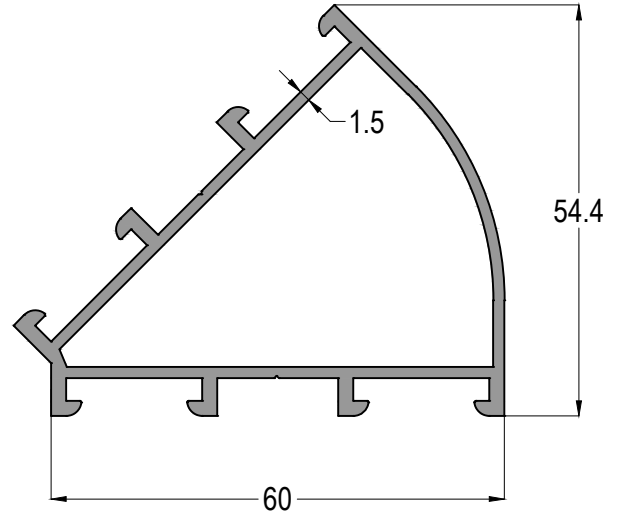
YALITIMSIZ KAPI-VİTRİN SİSTEMİ  
UNINSULATED DOOR & SHOWCASE SYSTEM

## ASISTAL

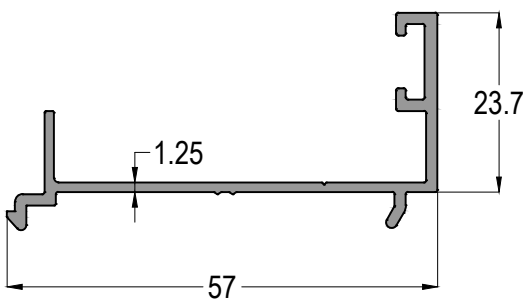
|            |                    |                    |
|------------|--------------------|--------------------|
| C60 161-15 | Jx cm <sup>4</sup> | Jy cm <sup>4</sup> |
|            | 20,89              | 20,89              |
|            | AĞIRLIK / Weight   |                    |
|            | 1,133 kg/mt        |                    |



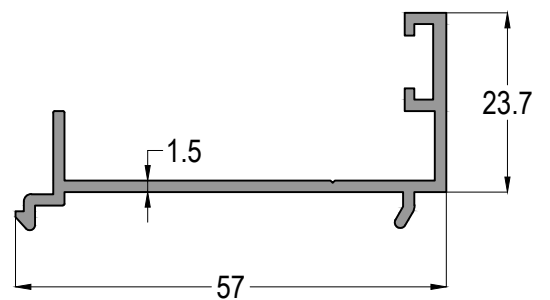
|            |                    |                    |
|------------|--------------------|--------------------|
| C60 162-15 | Jx cm <sup>4</sup> | Jy cm <sup>4</sup> |
|            | 9,34               | 13,96              |
|            | AĞIRLIK / Weight   |                    |
|            | 0,978 kg/mt        |                    |



|            |                  |
|------------|------------------|
| C60 171-12 |                  |
|            | AĞIRLIK / Weight |
|            | 0,410 kg/mt      |



|            |                  |
|------------|------------------|
| C60 171-15 |                  |
|            | AĞIRLIK / Weight |
|            | 0,447 kg/mt      |



Profil ağırlıklarımız teorik olup; teslim anındaki tartımız geçerlidir.  
Profile weights are theoretical and the weight at the time of delivery is valid.

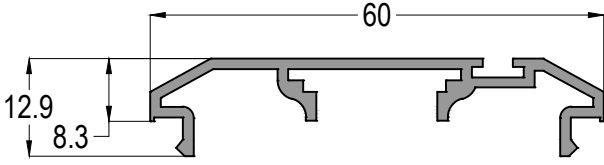
# AS C60

YALITIMSIZ KAPI-VİTRİN SİSTEMİ  
UNINSULATED DOOR & SHOWCASE SYSTEM

## ASISTAL

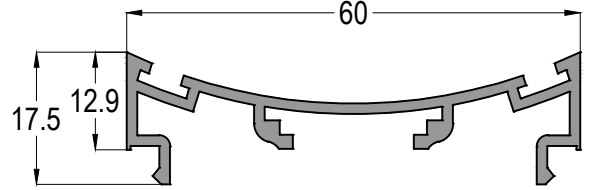
### C60 052-14

| AĞIRLIK / Weight |  |
|------------------|--|
| 0,433 kg/mt      |  |



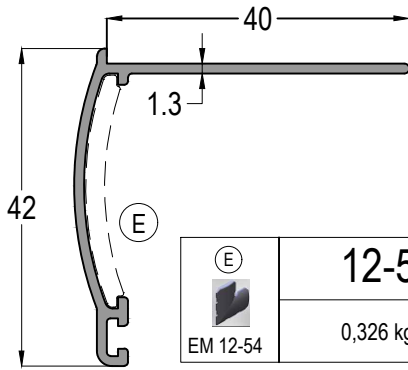
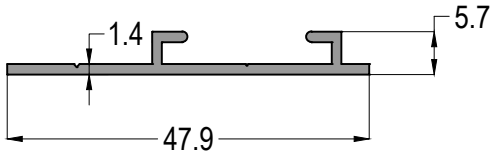
### C60 053-14

| AĞIRLIK / Weight |  |
|------------------|--|
| 0,511 kg/mt      |  |



### C60 152-14

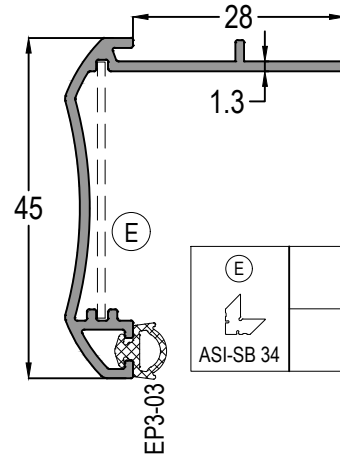
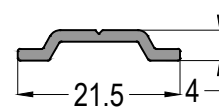
| AĞIRLIK / Weight |  |
|------------------|--|
| 0,236 kg/mt      |  |



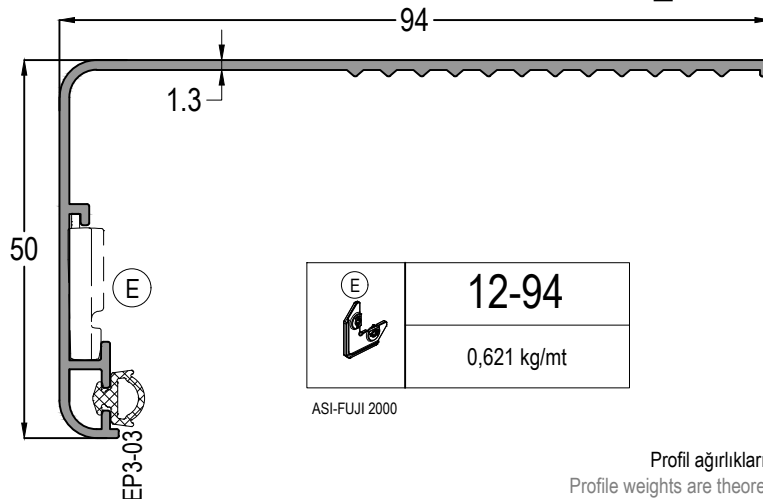
| 12-54    |             |
|----------|-------------|
| EM 12-54 | 0,326 kg/mt |

### AL12 215

| AĞIRLIK / Weight |  |
|------------------|--|
| 0,098 kg/mt      |  |



| 12-57     |             |
|-----------|-------------|
| ASI-SB 34 | 0,358 kg/mt |



| 12-94         |             |
|---------------|-------------|
| ASI-FUJI 2000 | 0,621 kg/mt |

Profil ağırlıklarımız teorik olup, teslim anındaki tartımız geçerlidir.  
Profile weights are theoretical and the weight at the time of delivery is valid.

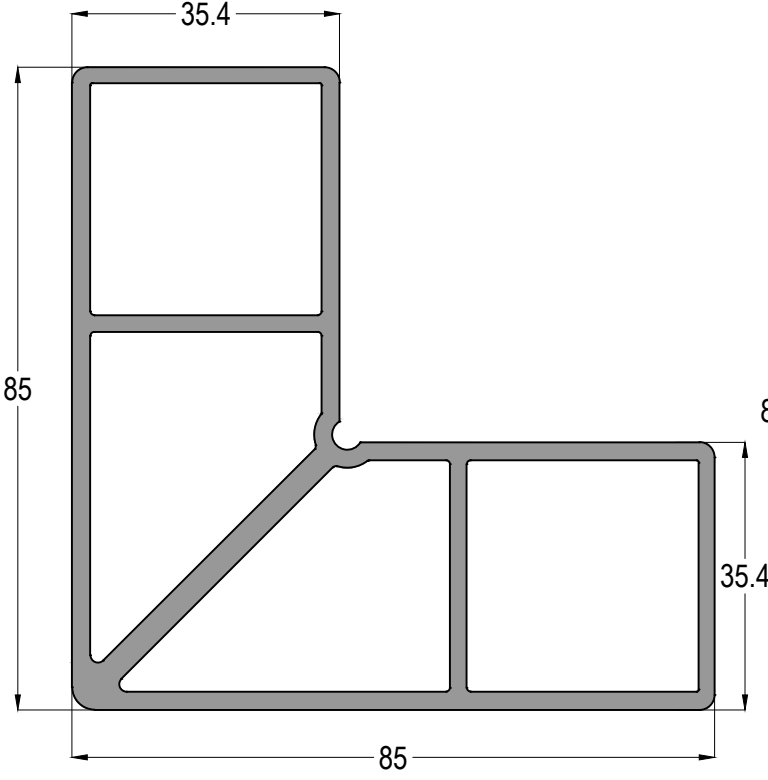
# AS C60

YALITIMSIZ KAPI-VİTRİN SİSTEMİ  
UNINSULATED DOOR & SHOWCASE SYSTEM



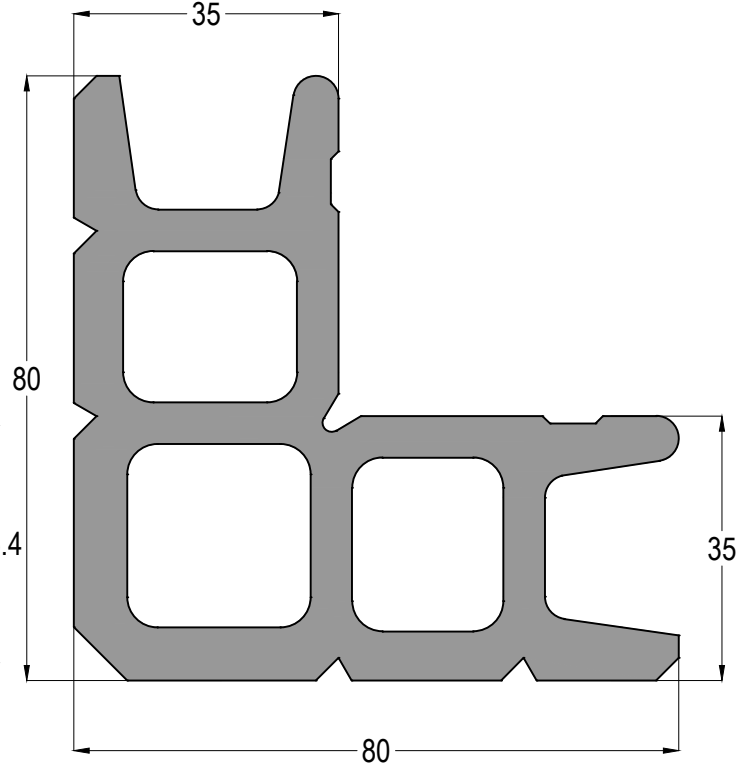
C10 360-24

|  |                  |
|--|------------------|
|  | AĞIRLIK / Weight |
|  | 2,861 kg/mt      |



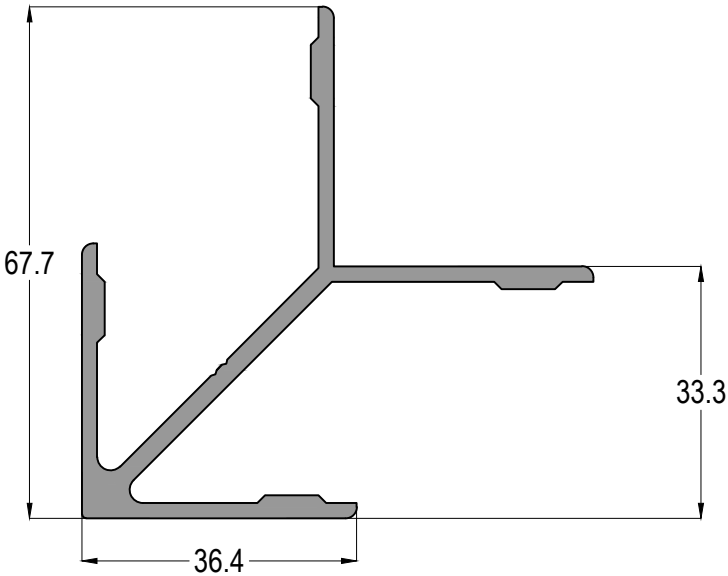
C10 350-00

|  |                  |
|--|------------------|
|  | AĞIRLIK / Weight |
|  | 5,644 kg/mt      |



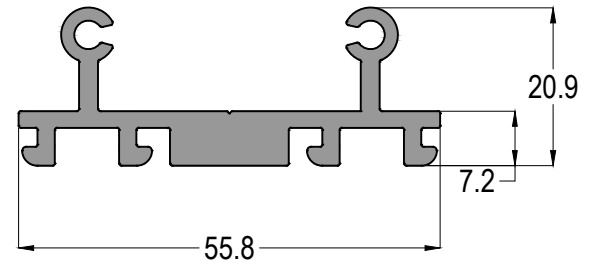
AL10-333

|  |                  |
|--|------------------|
|  | AĞIRLIK / Weight |
|  | 1,160 kg/mt      |



C10 558-01

|  |                  |
|--|------------------|
|  | AĞIRLIK / Weight |
|  | 0,940 kg/mt      |

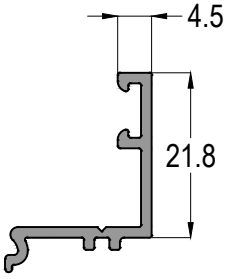


Profil ağırlıklarımız teorik olup; teslim anındaki tartımız geçerlidir.  
Profile weights are theoretical and the weight at the time of delivery is valid.

# AS C60

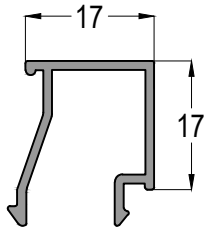
YALITIMSIZ KAPI-VİTRİN SİSTEMİ  
UNINSULATED DOOR & SHOWCASE SYSTEM

## ASISTAL



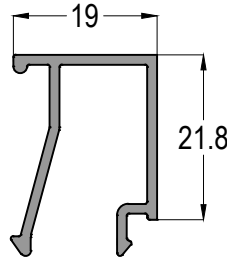
C11 045-14

0,254 kg/mt



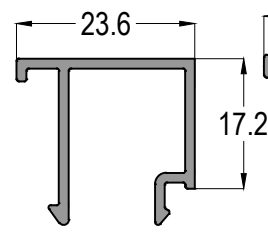
C11 170

0,209 kg/mt



C11 190-13

0,272 kg/mt

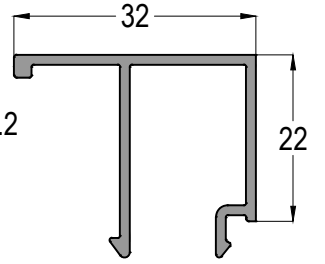


C11 236-11

0,219 kg/mt

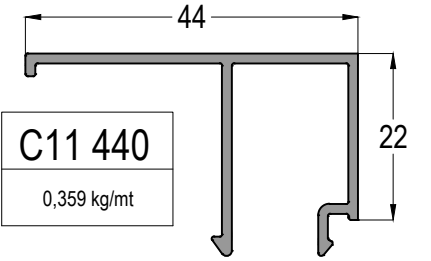
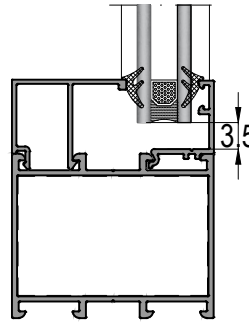
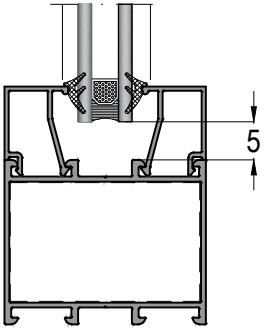
C11 236-13

0,255 kg/mt



C11 330

0,322 kg/mt



C11 440

0,359 kg/mt

CAM KALINLIĞINA GÖRE CAM ÇİTASI SEÇİM TABLOSU  
SİMETRİK CAM TABLOSU  
Glazing Bead Selection Table according to the Glass  
Thickness Symmetrical Glass List

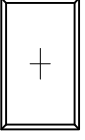
| CAM KALINLIĞI (mm) Glass Thickness | CAM ÇİTASI Glazing Bead | İÇ CAM FİTİLİ Glass Gasket (IN) | DIŞ CAM FİTİLİ Glass Gasket (OUT) |
|------------------------------------|-------------------------|---------------------------------|-----------------------------------|
| 4                                  | C11 236                 | EP2-02                          | EP2-02                            |
| 5                                  | C11 236                 | EP2-02                          | EP2-01                            |
| 6                                  | C11 236                 | EP2-01                          | EP2-01                            |
| 8                                  | C11 236                 | KC-02                           | EP2-01                            |
| 10                                 | C11 236                 | EP2-01                          | Silikon                           |
| 12                                 | C11 190                 | EP2-03                          | EP2-03                            |
| 13                                 | C11 190                 | EP2-03                          | EP2-02                            |
| 14                                 | C11 190                 | EP2-02                          | EP2-02                            |
| 15                                 | C11 190                 | EP2-02                          | EP2-01                            |
| 16                                 | C11 190                 | EP2-01                          | Silikon                           |
| 20                                 | C11 190                 | KC-02                           | Silikon                           |
| 22                                 | C11 170                 | EP2-01                          | Silikon                           |
| 24                                 | C11 170                 | Silikon                         | Silikon                           |

CAM KALINLIĞINA GÖRE CAM ÇİTASI SEÇİM TABLOSU  
ASİMETRİK CAM TABLOSU  
Glazing Bead Selection Table according to the Glass Thickness  
Asymmetric Glass List

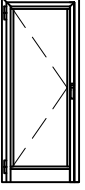
| CAM KALINLIĞI (mm) Glass Thickness | İÇ CAM ÇİTASI Glazing Bead (IN) | DIŞ CAM ÇİTASI Glazing Bead (OUT) | İÇ CAM FİTİLİ Glass Gasket (IN) | DIŞ CAM FİTİLİ Glass Gasket (OUT) |
|------------------------------------|---------------------------------|-----------------------------------|---------------------------------|-----------------------------------|
| 4                                  | C11 440                         | C11 045                           | EP2-02                          | EP2-01                            |
| 5                                  | C11 440                         | C11 045                           | EP2-01                          | EP2-01                            |
| 12                                 | C11 330                         | C11 045                           | KC-06                           | KC-06                             |
| 13                                 | C11 330                         | C11 045                           | EP2-03                          | EP2-03                            |
| 16                                 | C11 330                         | C11 045                           | EP2-02                          | EP2-02                            |
| 18                                 | C11 330                         | C11 045                           | EP2-01                          | EP2-01                            |
| 24                                 | C11 190                         | C11 045                           | KC-07                           | KC-06                             |
| 26                                 | C11 190                         | C11 045                           | EP2-03                          | EP2-03                            |
| 28                                 | C11 190                         | C11 045                           | EP2-02                          | EP2-02                            |
| 30                                 | C11 190                         | C11 045                           | EP2-01                          | EP2-01                            |
| 32                                 | C11 190                         | C11 045                           | KC-02                           | KC-02                             |
| 34                                 | C11 170                         | C11 045                           | KC-02                           | KC-02                             |

Profil ağırlıklarımız teorik olup; teslim anındaki tartımız geçerlidir.  
Profile weights are theoretical and the weight at the time of delivery is valid.

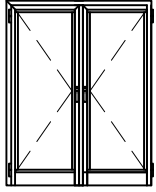
### AÇILIM TİPLERİ - OPENING TYPES



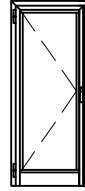
SABİT  
*FIXED*



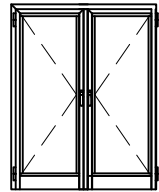
TEK KANAT İÇE AÇILIR KAPI  
*SINGLE INWARD OPENING DOOR*



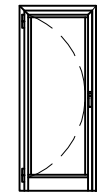
ÇİFT KANAT İÇE AÇILIR KAPI  
*DOUBLE INWARD OPENING DOOR*



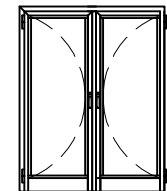
TEK KANAT DIŞA AÇILIR KAPI  
*SINGLE OUTWARD OPENING DOOR*



ÇİFT KANAT DIŞA AÇILIR KAPI  
*DOUBLE OUTWARD OPENING DOOR*



TEK KANAT ÇARPMA KAPI  
*SINGLE SASH SWING DOOR*



ÇİFT KANAT ÇARPMA KAPI  
*DOUBLE SASH SWING DOOR*

**AS C60**

YALITIMSIZ KAPI-VİTRİN SİSTEMİ  
UNINSULATED DOOR & SHOWCASE SYSTEM

**ASISTAL**

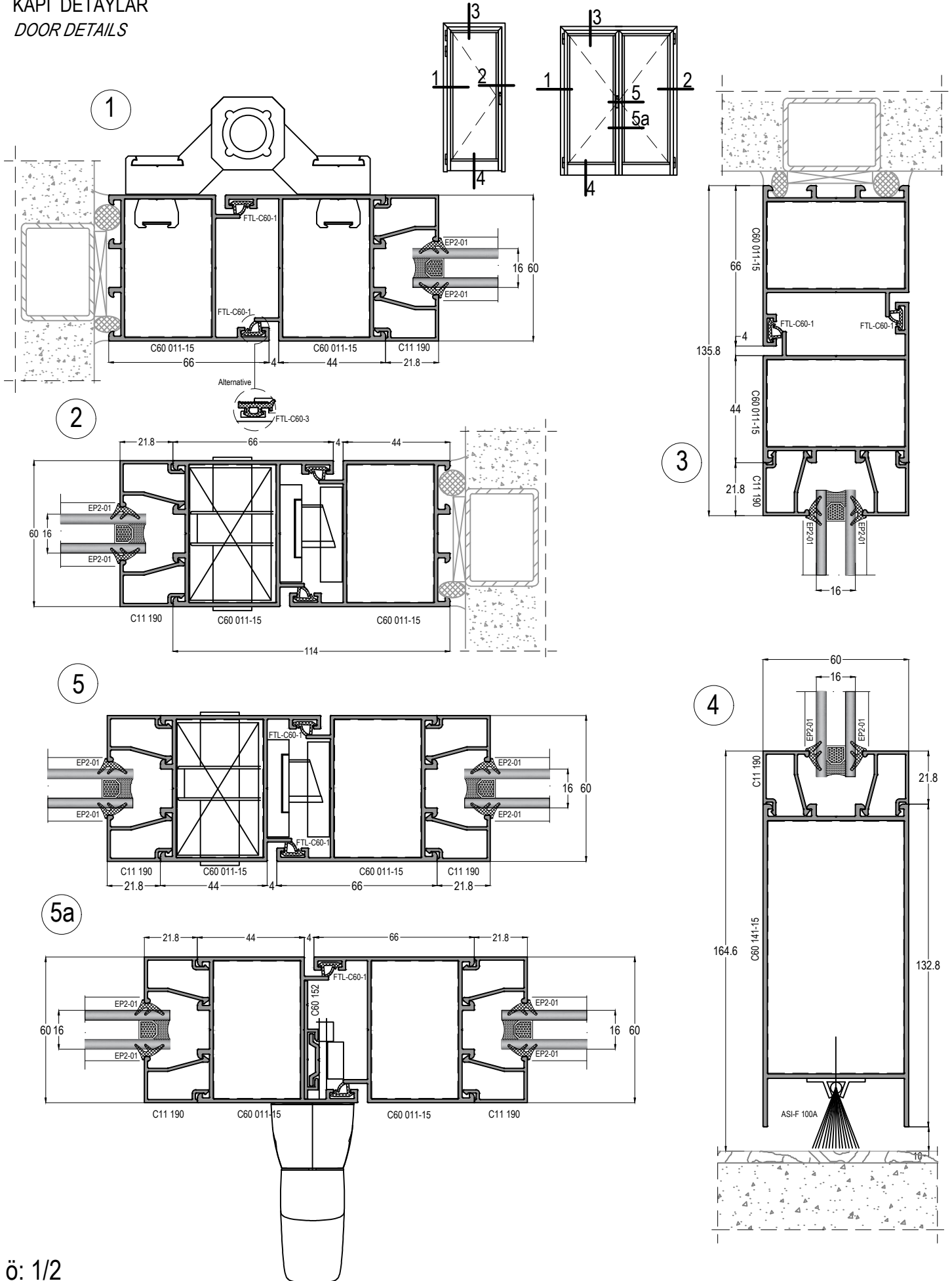
**SİSTEM DETAYLARI**  
*SYSTEM DETAILS*

# AS C60

YALITIMSIZ KAPI-VİTRİN SİSTEMİ  
UNINSULATED DOOR & SHOWCASE SYSTEM



## KAPI DETAYLAR DOOR DETAILS

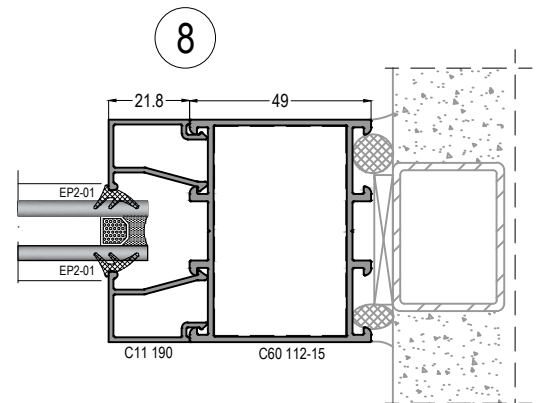
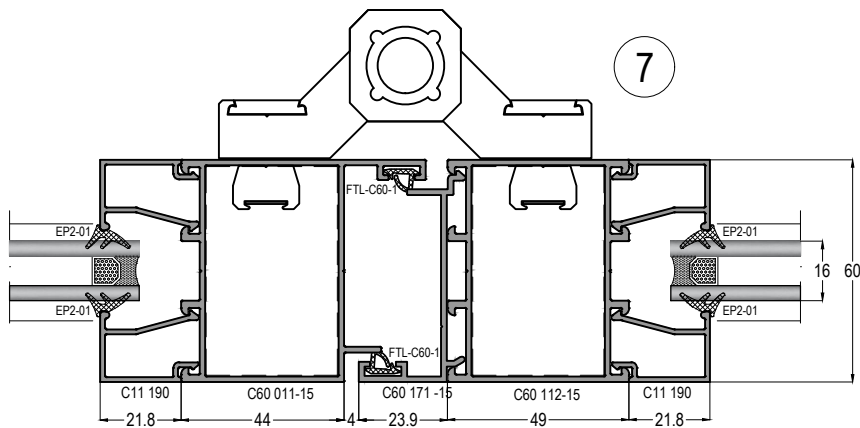
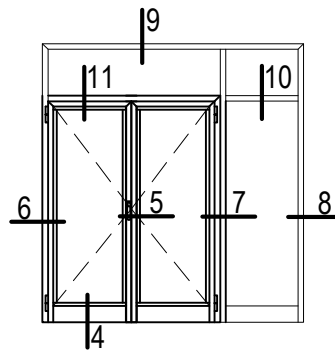
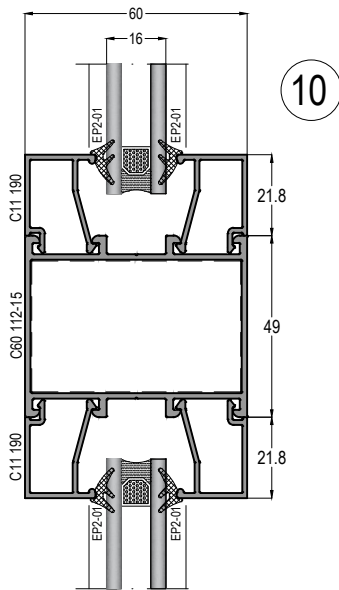
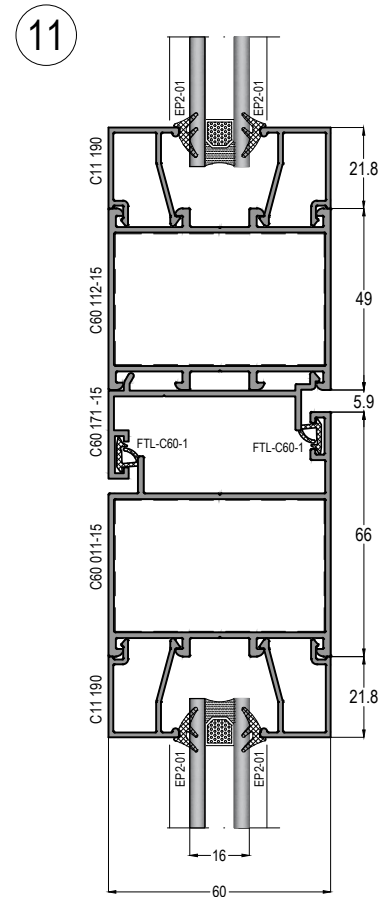
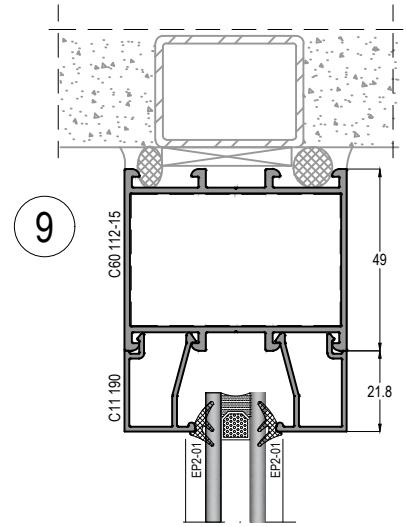
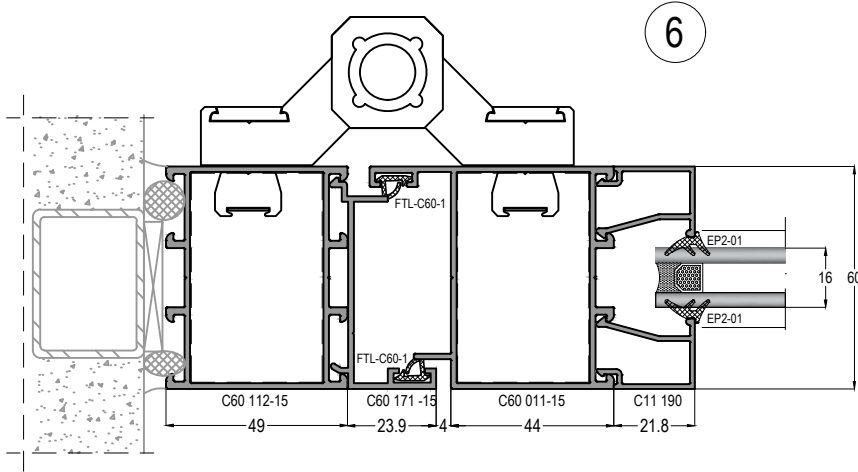


# AS C60

YALITIMSIZ KAPI-VİTRİN SİSTEMİ  
UNINSULATED DOOR & SHOWCASE SYSTEM



## KAPI DETAYLAR DOOR DETAILS

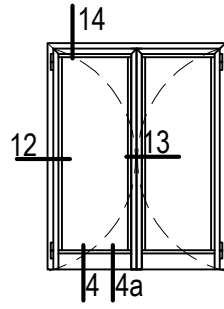


# AS C60

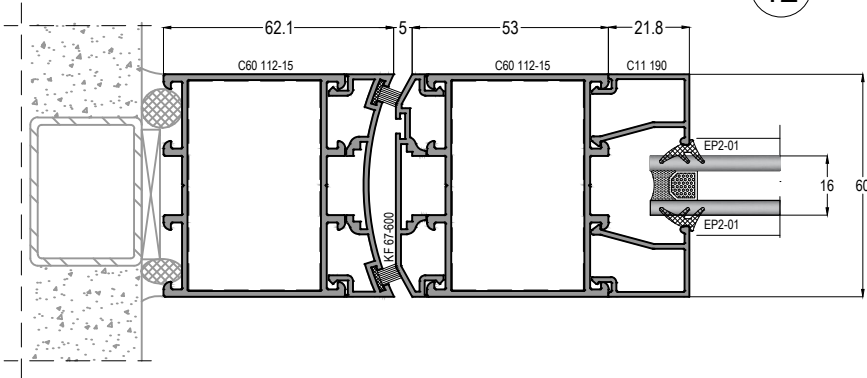
YALITIMSIZ KAPI-VİTRİN SİSTEMİ  
UNINSULATED DOOR & SHOWCASE SYSTEM



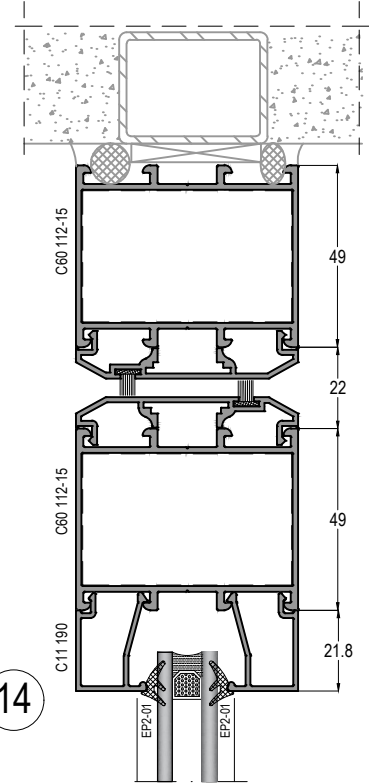
## ÇARPMA KAPI DETAYLARI SWING DOOR DETAILS



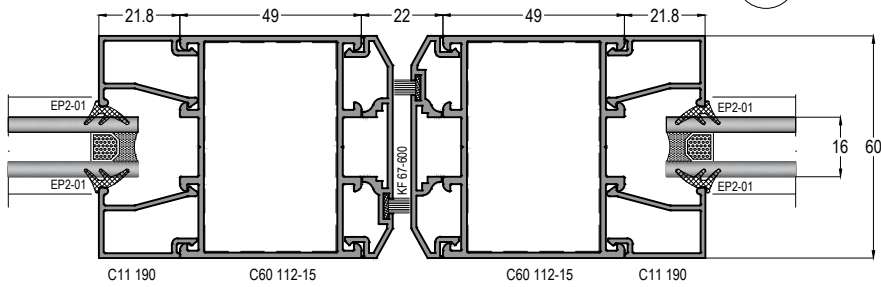
12



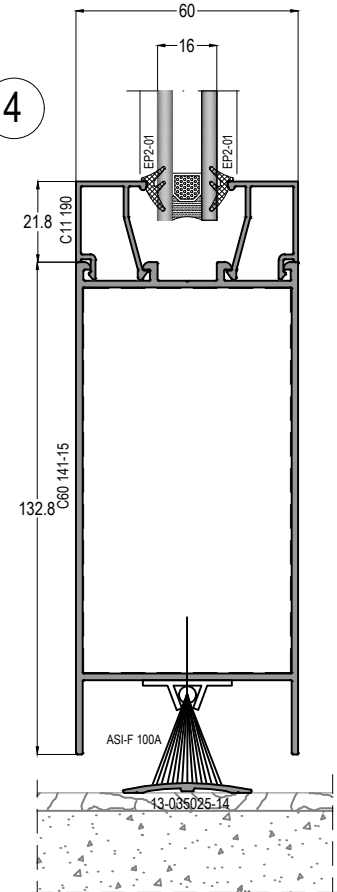
14



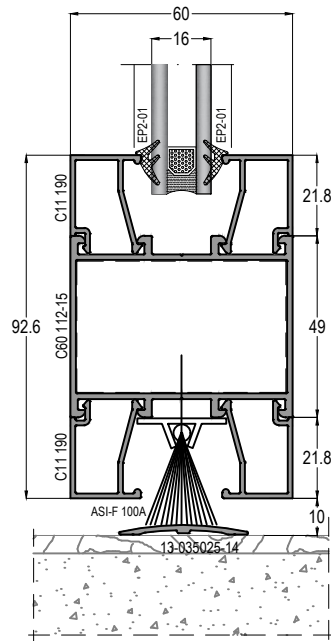
13



4

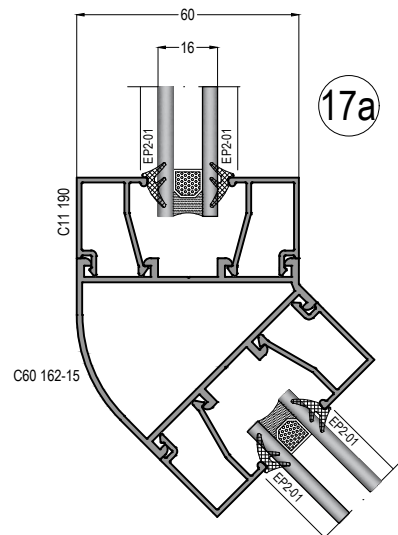
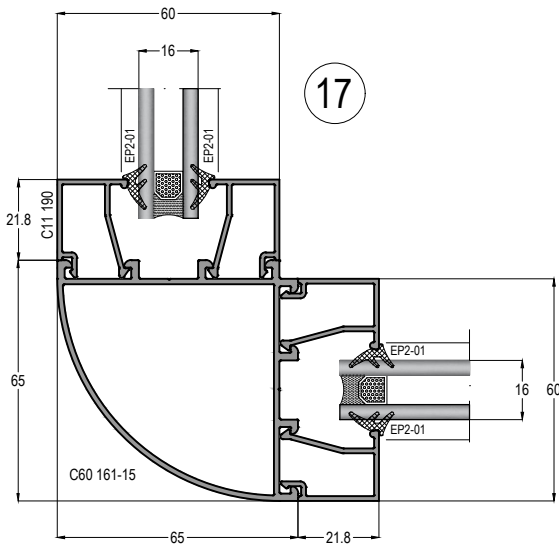
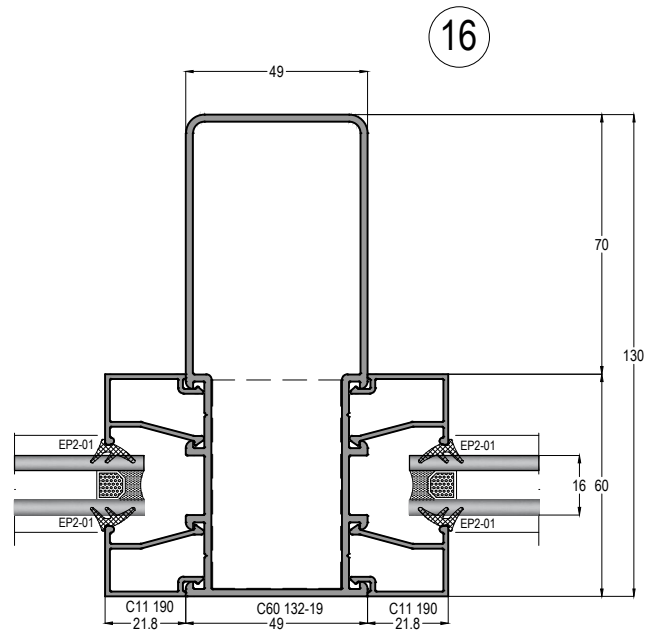
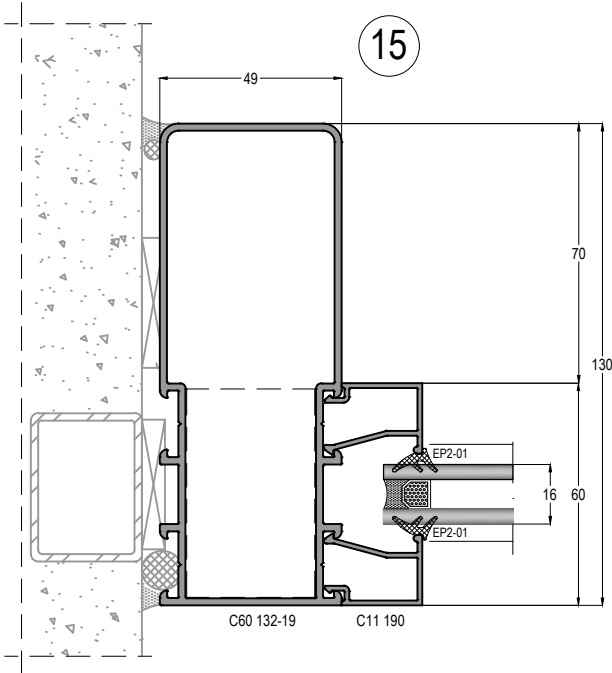
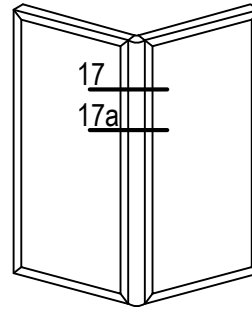
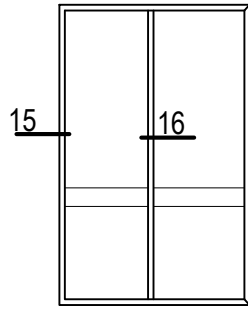


4a



# AS C60

YALITIMSIZ KAPI-VİTRİN SİSTEMİ  
UNINSULATED DOOR & SHOWCASE SYSTEM



**AS C60**

YALITIMSIZ KAPI-VİTRİN SİSTEMİ  
UNINSULATED DOOR & SHOWCASE SYSTEM

**ASISTAL**

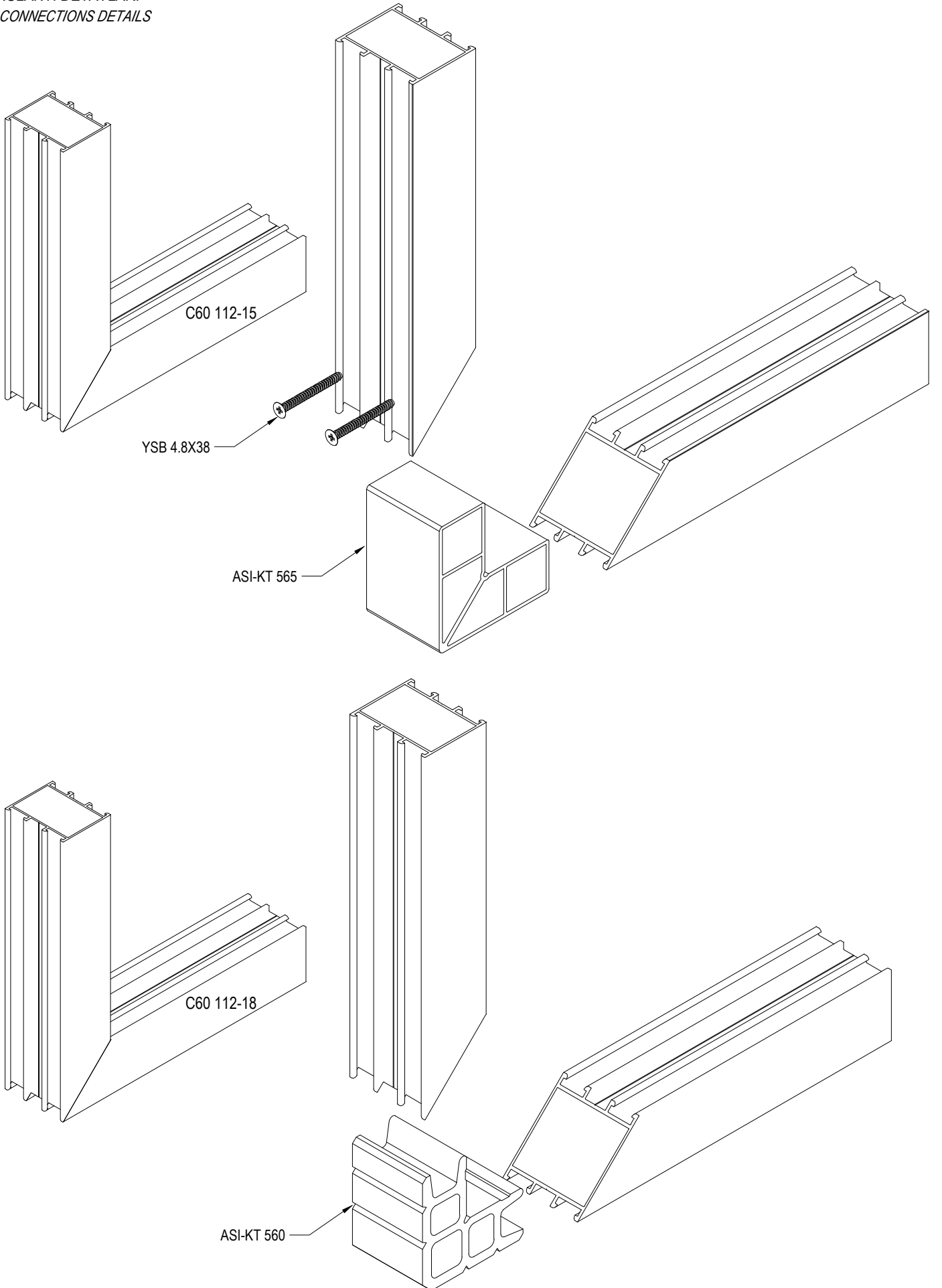
**KESİM ve MONTAJ**  
*CUTTING & ASSEMBLY*

# AS C60

YALITIMSIZ KAPI-VİTRİN SİSTEMİ  
UNINSULATED DOOR & SHOWCASE SYSTEM



## KÖŞE BAĞLANTI DETAYLARI CORNER CONNECTION DETAILS

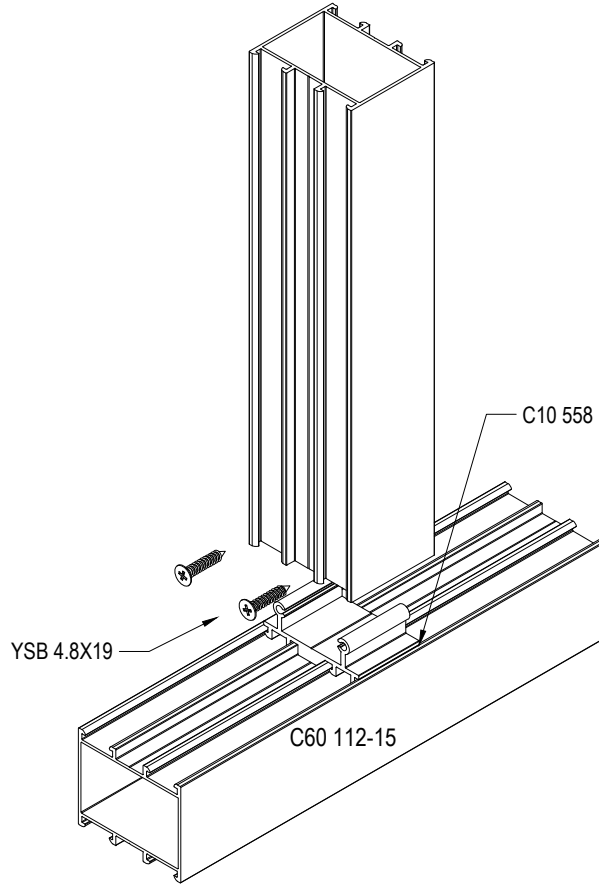
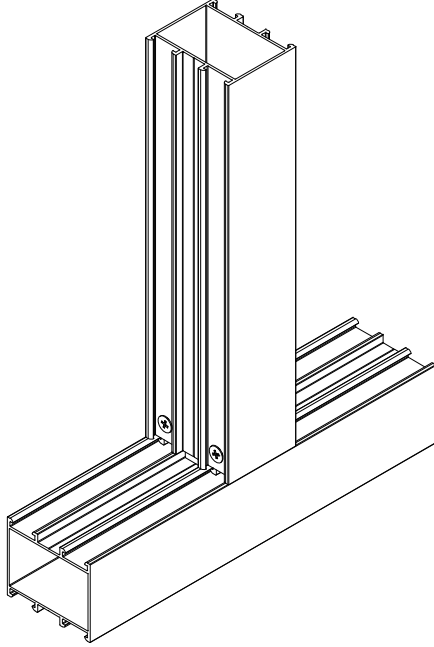


# AS C60

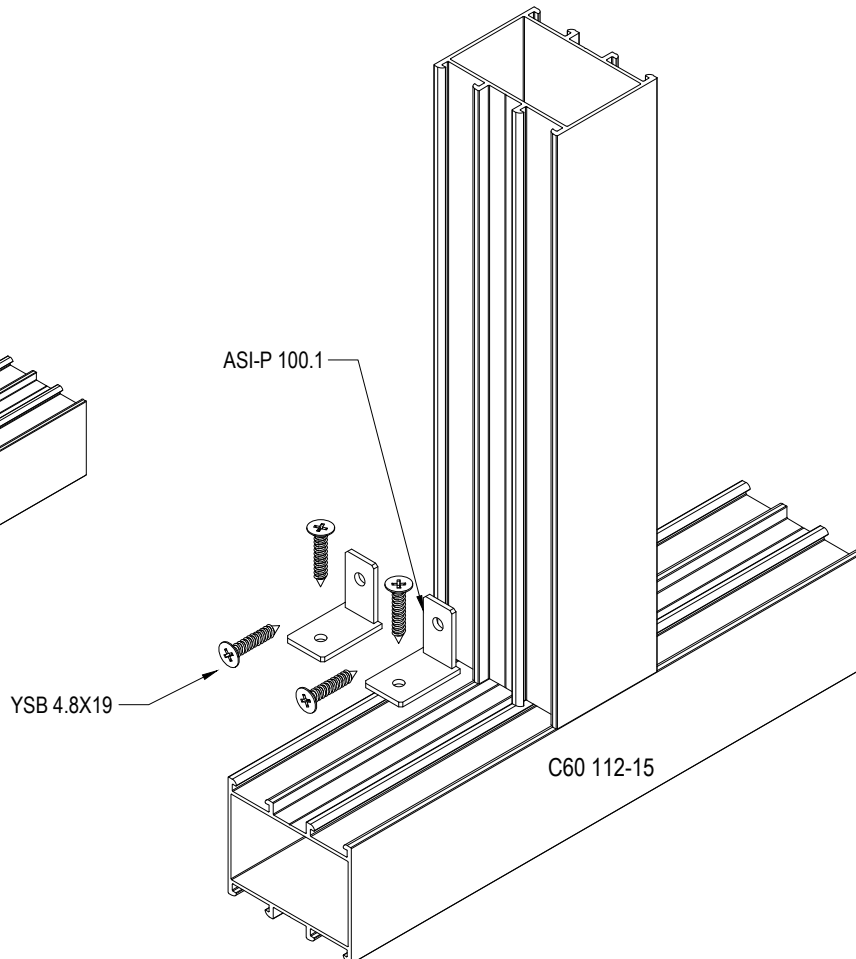
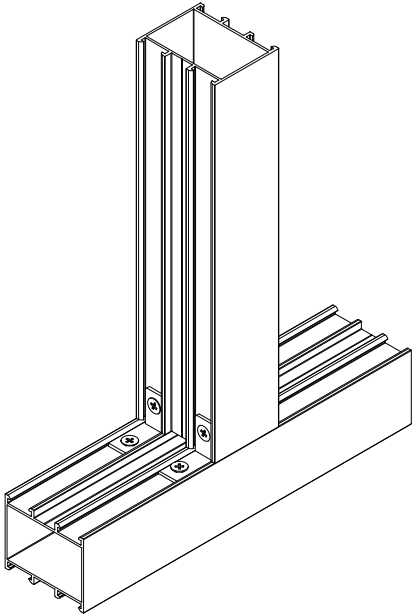
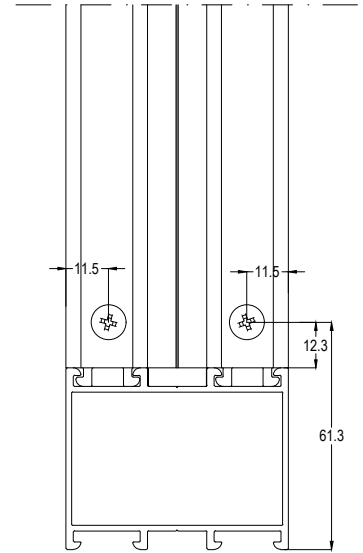
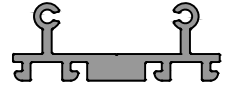
YALITIMSIZ KAPI-VİTRİN SİSTEMİ  
UNINSULATED DOOR & SHOWCASE SYSTEM



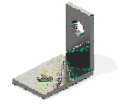
## DİK (ORTA KAYIT) BAĞLANTI DETAYLARI T JOINT DETAILS



C10 558



ASI-P 100.1

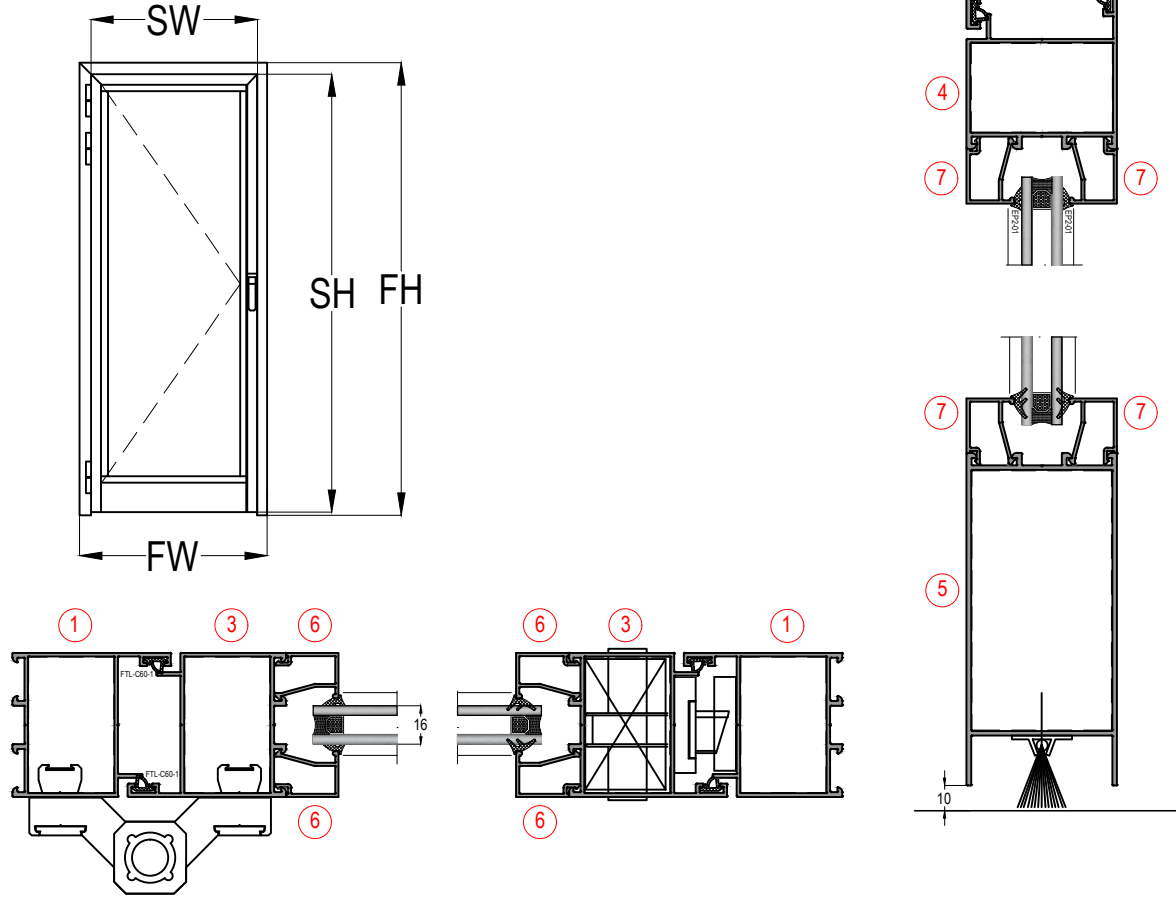


# AS C60

YALITIMSIZ KAPI-VİTRİN SİSTEMİ  
UNINSULATED DOOR & SHOWCASE SYSTEM

## ASISTAL

### TEK KANAT KAPI KESİM ÖLÇÜLERİ SINGLE SASH DOOR CUTTING SIZES



### PROFİLLER / PROFILES

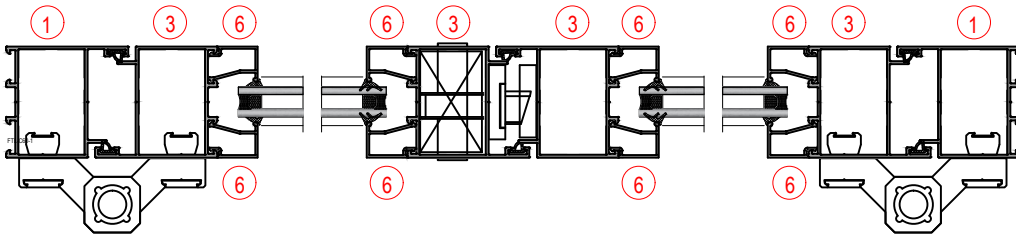
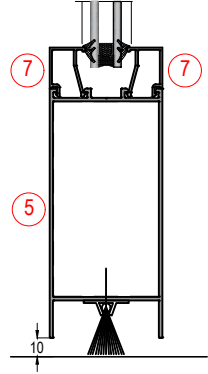
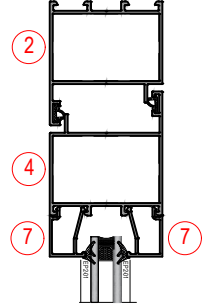
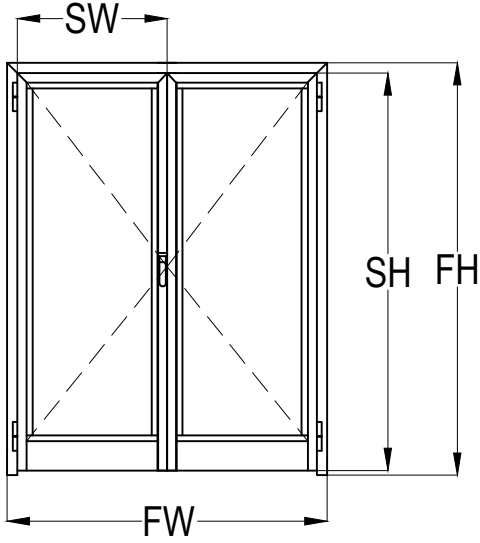
| NO / Number | ADET / Unit | KOD / Code | PROFİL ÇİZİMİ / Drawing | PROFİL TANIMI / Description                     | KESİM ÖLÇÜSÜ / Cutting Dimensions |
|-------------|-------------|------------|-------------------------|---|-----------------------------------|
| 1           | 2           | C60 011-15 |                         | DÜŞEY KASA PROFİLİ / Vertical Frame Profile     | FH                                |
| 2           | 1           | C60 011-15 |                         | YATAY KASA PROFİLİ / Horizontal Frame Profile   | FH                                |
| 3           | 2           | C60 011-15 |                         | DÜŞEY KANAT PROFİLİ / Vertical Sash Profile     | SH=FH-58                          |
| 4           | 1           | C60 011-15 |                         | YATAY KANAT PROFİLİ / Horizontal Frame Profile  | SW=FW-96                          |
| 5           | 1           | C60 141-15 |                         | ETEK PROFİLİ / Bottom Plate Profile             | FW-228                            |
| 6           | 4           | C11 190    |                         | YATAY CAM ÇITASI / Horizontal Glazing Bead Pro. | FW-228                            |
| 7           | 4           | C11 190    |                         | DÜŞEY CAM ÇITASI / Vertical Glazing Bead Pro.   | FH-300.4                          |

### AKSESUAR / HARDWARE

| KOD / Code  | AKSESUAR ÇİZİMİ / Drawing | AKSESUAR TANIMI / Description            | KESİM ÖLÇÜSÜ / Cutting Dimensions |
|-------------|---------------------------|--|-----------------------------------|
| ASI-DH 2070 |                           | KAPI KOLU / DOOR HANDLE                  | 1 ADT. / 1 UNIT                   |
| ASI-BRL 68  |                           | 68 LİK BAREL / CYLINDER 68               | 1 ADT. / 1 UNIT                   |
| ASI-153U25  |                           | DİLLİ KİLİT / MORTISE LOCK WITH CYLINDER | 1 ADT. / 1 UNIT                   |
| KRS-C60-D   |                           | DİLLİ KİLİT KARŞILIĞI / LOCK STRIKES     | 1 ADT. / 1 UNIT                   |
| KRS-C60-A   |                           | KİLİT ALTI / LOCK ADAPTER                | 1 ADT. / 1 UNIT                   |
| ASI-KT 565  |                           | KÖŞE TAKOZU / CORNER JOINT               | 2 ADT. / 2 UNIT                   |
| ASI-DB 1035 |                           | BAĞLANTI PROFİLİ / JOINT PROFILE         | 2 ADT. / 2 UNIT                   |
| MNT-C60-2   |                           | MENTEŞE / HINGE                          | 3 ADT. / 3 UNIT                   |

### AKSESUAR / HARDWARE

| KOD / Code | AKSESUAR ÇİZİMİ / Drawing | FİTİL TANIMI / Gasket Description           | KESİM ÖLÇÜSÜ / Cutting Dimensions |
|------------|---------------------------|---|-----------------------------------|
| EP2-01     |                           | İÇ CAM FİTİLİ - 3 mm / INNER GLAZING GASKET | SW+(2XSH)                         |
| ASI-F 100A |                           | KAPI ALTI FIRÇASI / BRUSH GASKET            | 1 ADT. / 1 UNIT                   |
| C60-01     |                           | KANAT BİNİ FİTİLİ / SASH GASKET             | (2XSW)+(4XSH)                     |

ÇİFT KANAT KAPI KESİM ÖLÇÜLERİ  
DOUBLE SASH DOOR CUTTING SIZES

## PROFİLLER / PROFILES

| NO / Number | ADET / Unit | KOD / Code | PROFİL ÇİZİMİ / Drawing | PROFİL TANIMI / Description                     | KESİM ÖLÇÜSÜ / Cutting Dimensions |
|-------------|-------------|------------|-------------------------|---|-----------------------------------|
| 1           | 2           | C60 011-15 |                         | DÜŞEY KASA PROFİLİ / Vertical Frame Profile     | FH                                |
| 2           | 2           | C60 011-15 |                         | YATAY KASA PROFİLİ / Horizontal Frame Profile   | FH                                |
| 3           | 4           | C60 011-15 |                         | DÜŞEY KANAT PROFİLİ / Vertical Sash Profile     | SH=FH-58                          |
| 4           | 2           | C60 011-15 |                         | YATAY KANAT PROFİLİ / Horizontal Frame Profile  | SW=(FW/2)-39                      |
| 5           | 2           | C60 141-15 |                         | ETEK PROFİLİ / Bottom Plate Profile             | (FW/2)-171                        |
| 6           | 8           | C11 190    |                         | YATAY CAM ÇITASI / Horizontal Glazing Bead Pro. | (FW/2)-171                        |
| 7           | 8           | C11 190    |                         | DÜŞEY CAM ÇITASI / Vertical Glazing Bead Pro.   | FH-300.4                          |

## AKSESUAR / HARDWARE

| KOD / Code  | AKSESUAR ÇİZİMİ / Drawing | AKSESUAR TANIMI / Description            | KESİM ÖLÇÜSÜ / Cutting Dimensions |
|-------------|---------------------------|--|-----------------------------------|
| ASI-DH 2070 |                           | KAPI KOLU / DOOR HANDLE                  | 2 ADT. / 2 UNIT                   |
| ASI-BRL 68  |                           | 68 LİK BAREL / CYLINDER 68               | 1 ADT. / 1 UNIT                   |
| ASI-153U25  |                           | DİLLİ KİLİT / MORTISE LOCK WITH CYLINDER | 1 ADT. / 1 UNIT                   |
| KRS-C60-D   |                           | DİLLİ KİLİT KARŞILIĞI / LOCK STRIKES     | 1 ADT. / 1 UNIT                   |
| KRS-C60-A   |                           | KİLİT ALTI / LOCK ADAPTER                | 1 ADT. / 1 UNIT                   |
| ASI-KT 565  |                           | KÖŞE TAKOZU / CORNER JOINT               | 2 ADT. / 2 UNIT                   |
| ASI-DB 1035 |                           | BAĞLANTI PROFİLİ / JOINT PROFILE         | 4 ADT. / 4 UNIT                   |
| MNT-C60-2   |                           | MENTEŞE / HINGE                          | 6 ADT. / 6 UNIT                   |

## AKSESUAR / HARDWARE

| KOD / Code  | AKSESUAR ÇİZİMİ / Drawing | FİTİL TANIMI / Gasket Description           | KESİM ÖLÇÜSÜ / Cutting Dimensions |
|-------------|---------------------------|---|-----------------------------------|
| ASI-C60 SRG |                           | SÜRGÜ KİLİTLEME / SASH FIXING LOCK          | 1 ADT. / 1 UNIT                   |
| EP2-01      |                           | İÇ CAM FİTİLİ - 3 mm / INNER GLAZING GASKET | (2XSW)+(4XSH)                     |
| ASI-F 100A  |                           | KAPI ALTI FIRÇASI / BRUSH GASKET            | 2 ADT. / 2 UNIT                   |
| C60-01      |                           | KANAT BİNİ FİTİLİ / SASH GASKET             | (4XSW)+(8XSH)                     |